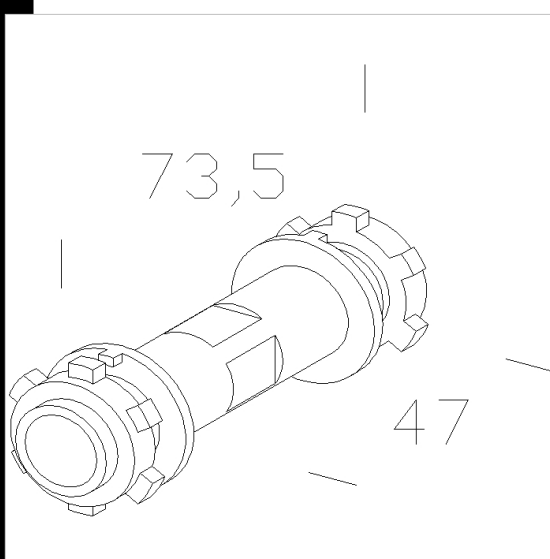


938 Canutillo de unión

De policarbonato, permite la unin y el paso de cables de alimentacin entre plafones (mx 30 mlineales) Precio por bolsa con 2 piezas.

Download

DXF 2D
- d938.dxf



Code	Kg	WTot	Colour
998073-00	0,02	0 W	GRIS

Prodotti



- 921 Hydro ATEX protección



- 981 Lunar T8



- 923 Hydro T5 FS



- 921 Hydro T8 EL



- 921 Hydro T5



- 961 Hydro LED - Money Saving



- 962 Hydro LED - Energy Saving



- 962 Hydro LED - Energy Saving FS



- 962 Hydro LED - Energy Saving 3000/6500K

The reported luminous flux is the flux emitted by the light source with a tolerance of $\pm 10\%$ compared to the indicated value. The W tot column indicates the total wattage absorbed by the system without exceeding 10% of the indicated