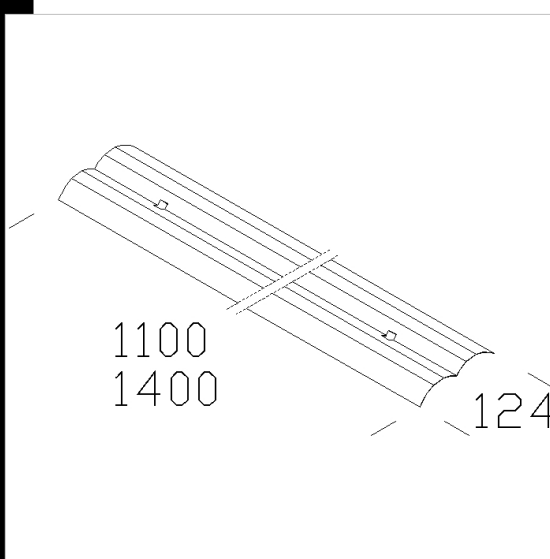
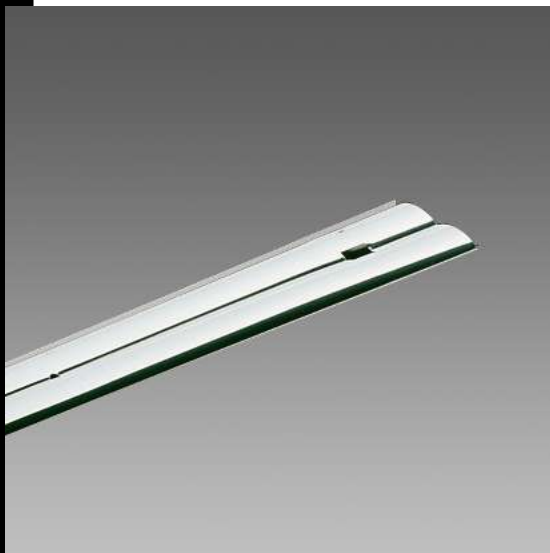


940 reflector intensivo bil.

Reflector de aluminio brillante. Utilizar con el reflector blanco de serie situado en el cuerpo.
For the article 920 391 922 923 924 925 926 958 959 960 use the codes 998052 998053

Download

DXF 2D
- 940.dxf



Code	Kg	Lumen-K-CRI	WTot
998052-00	0,31	FL 2x36/28---	0 W
998053-00	0,30	FL 2x58/49---	0 W

Prodotti



- 921 Hydro ATEX protezione



- 921 Hydro T8 EL



- 999 Forma T8 - acero



- 994 Forma T8 - acero + cristal



- 959 Hydro - con conector



- 921 Hydro T5



- 999 Forma T5 - acero inoxidable+cristal



- 994 Forma T5 - acero + cristal



- 960 Hydro T5 - con conector

The reported luminous flux is the flux emitted by the light source with a tolerance of $\pm 10\%$ compared to the indicated value. The W tot column indicates the total wattage absorbed by the system without exceeding 10% of the indicated