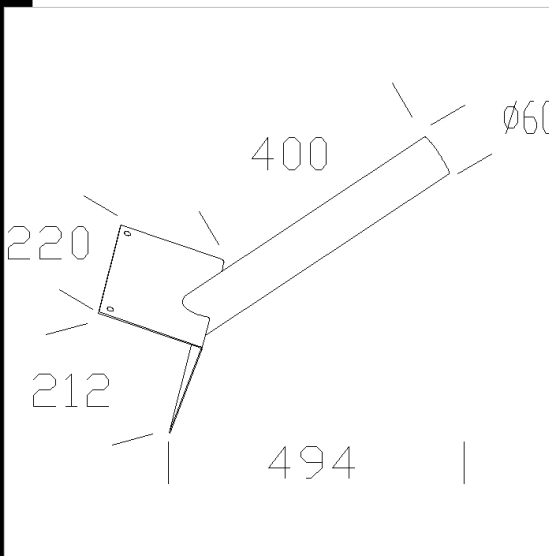
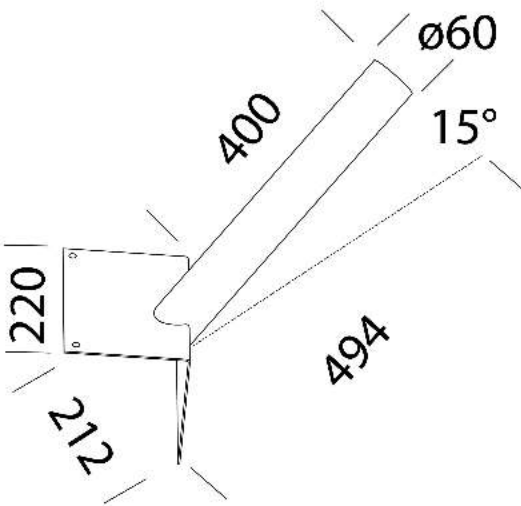


49 fijación en esquina

De acerotropicalizado. Para la fijacin a lapared en una esquina. Fijacin 60. Inclinacin 15°.



Code	Kg	WTot	Colour
997802-00	1,90	0 W	GREY

Prodotti



- 1152 Tonale 1 - difusor de



- 1652 Giovi



- Para carreteras, calles comerciales y privadas - 1141



- 1654 Giovi para vias de

Download
DXF 2D
- 49.dxf

The reported luminous flux is the flux emitted by the light source with a tolerance of ± 10% compared to the indicated value. The W tot column indicates the total wattage absorbed by the system without exceeding 10% of the indicated