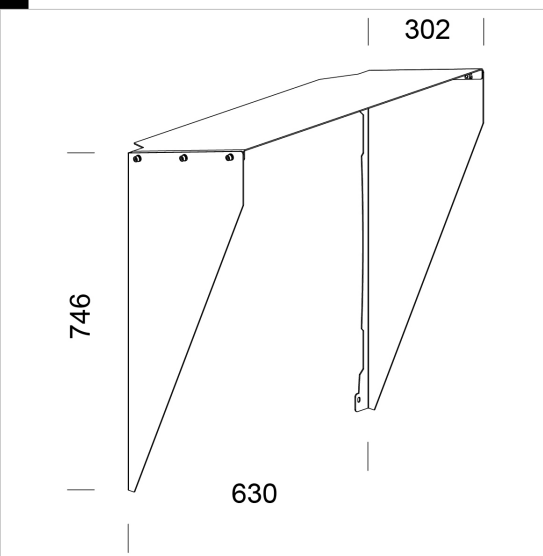
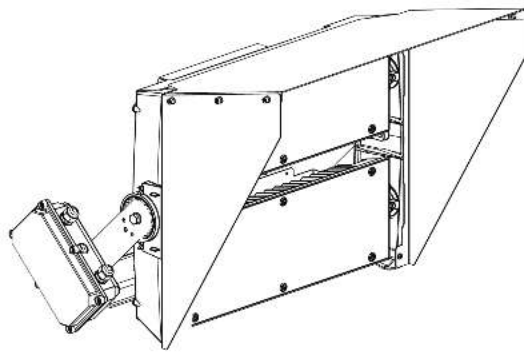


482 Deflector anti-deslumbramiento 2Mod

De acero. Permite apantallar el haz luminoso.



Code	Kg	WTot
995785-00	3,06	0 W

Prodotti

	- 3196 Forum LED - 3 módulos -		- 3198 Forum LED - 3 módulos -		- 3192 Forum LED - 3 módulos -		- 3195 Forum LED - 3 módulos -
	- 3231 Forum LED - 3 módulos - simétrico M		- 3230 Forum LED - 3 módulos - simétrico MS		- 3232 Forum LED - 3 módulos - simétrico XW		- 3194 Forum LED - 3 módulos - asimétrico 60°
	- 2190 Forum type A_old		- 2191 Forum type A_old		- 2192 Forum type A_old		- 2193 Forum type A_old
	- 2195 Forum type A_old		- 2196 Forum type A_old		- 2197 Forum type A_old		- 2190 Forum type C_old
	- 2191 Forum type C_old		- 2192 Forum type C_old		- 2193 Forum type C_old		- 2195 Forum type C_old
	- 2196 Forum type C_old		- 2197 Forum type C_old				

Download

- DXF 2D
- 482.dxf
- Montaggi
- 482 11-19.pdf

The reported luminous flux is the flux emitted by the light source with a tolerance of $\pm 10\%$ compared to the indicated value. The W tot column indicates the total wattage absorbed by the system without exceeding 10% of the indicated