

195 pantalla laminar

De acero. Parareducir los efectos del deslumbramiento y orientar el haz luminoso.



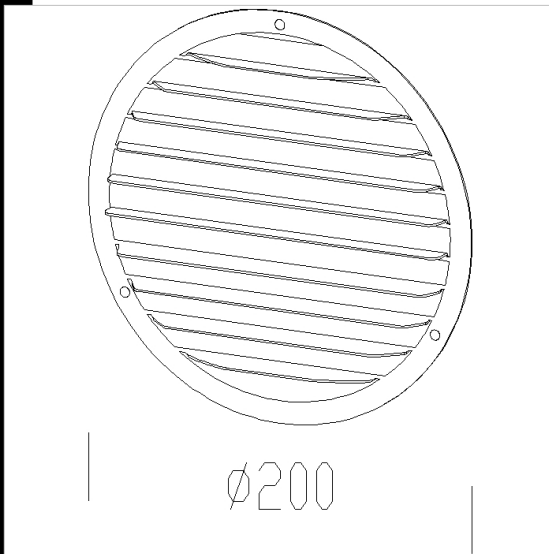
3° IP  
IK

Download

DXF 2D  
- acc\_195\_elfo.dxf



| Ø 150 |



| Ø 200 |

Code	Kg	WTot	Colour
995761-00	0,47	0 W	NEGRO

Prodotti



- 1527 Elfo 150W extensivo



- 1522 Elfo for Pegaso CDM-



- 1528 Elfo 150W intensivo

The reported luminous flux is the flux emitted by the light source with a tolerance of  $\pm 10\%$  compared to the indicated value. The W tot column indicates the total wattage absorbed by the system without exceeding 10% of the indicated