

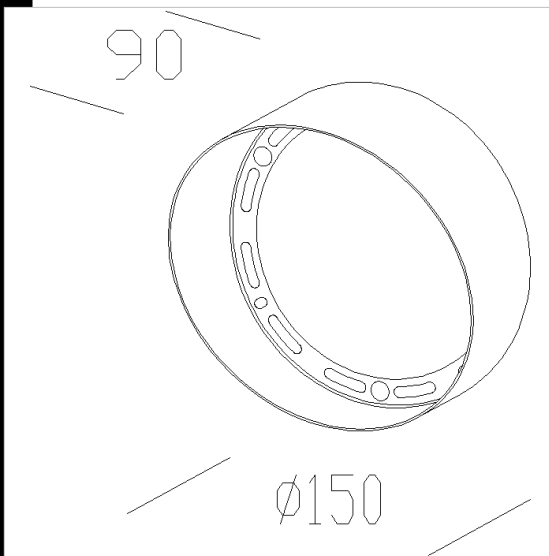
**Download**

DXF 2D  
- acc\_186\_elfo.dxf



**186 encauzador**

Para orientar el haz luminoso hacia una nica direccin.



Code	Kg	WTot	Colour
995746-00	0,08	0 W	NEGRO

**Prodotti**



- 1524 Elfo 35/70W extensivo



- 1539 Elfo RGBW - DMX/RDM



- 1523 Elfo con tijas



- 1525 Elfo 35/70W intensivo

The reported luminous flux is the flux emitted by the light source with a tolerance of  $\pm 10\%$  compared to the indicated value. The W tot column indicates the total wattage absorbed by the system without exceeding 10% of the indicated