

IP65

P



CLD  
CTL

IK08

**Download**

DXF 2D

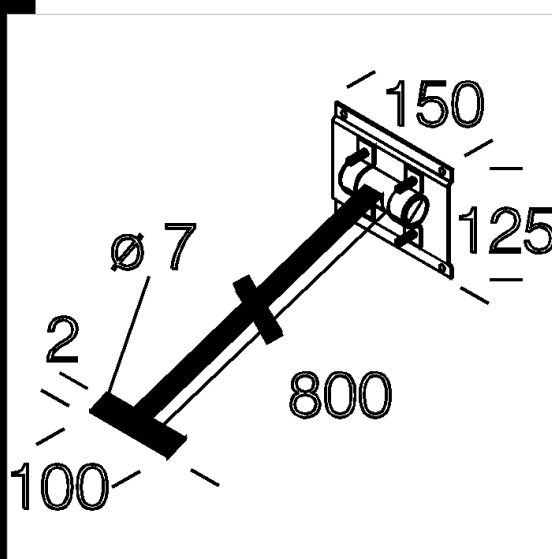
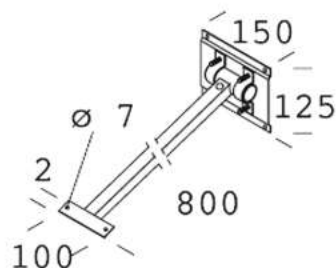
- d41.dxf

Montaggi

- acc41 11-21.pdf

41 brazo orientable

Brazo de acero.  
Para art. 1130-1131.



Code	Kg	WTot	Colour
995506-00	1,24	0 W	GRAFITO
995507-00	1,26	0 W	GREY9007
995508-00	1,20	0 W	BLANCO

**Prodotti**



- 1984 Micro Rodio - simétrico



- 1983 Micro Rodio - simétrico



- 1980 Micro Rodio - COB



- 1982 Micro Rodio - Asimétrico

The reported luminous flux is the flux emitted by the light source with a tolerance of  $\pm 10\%$  compared to the indicated value. The W tot column indicates the total wattage absorbed by the system without exceeding 10% of the indicated