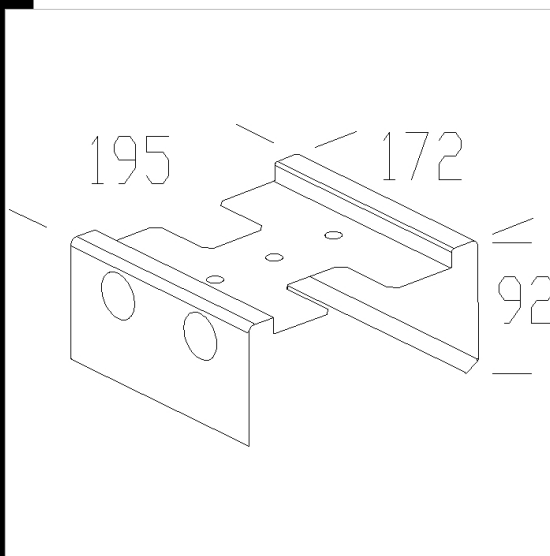
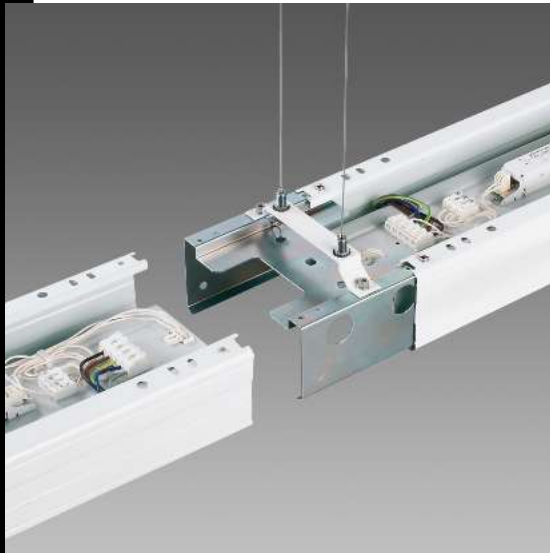


1925 unión lineal

De chapa de acero. Permite la fila continua y la unin de dos aparato.



Code	Kg	WTot	Colour
994649-00	0,02	0 W	CINCADO

Prodotti



- 1903 Super - simple 2+2



- 1904 Super - LED



- 1901 Super - simple 1+1

Download
DXF 2D
- 1925.dxf

The reported luminous flux is the flux emitted by the light source with a tolerance of $\pm 10\%$ compared to the indicated value. The W tot column indicates the total wattage absorbed by the system without exceeding 10% of the indicated