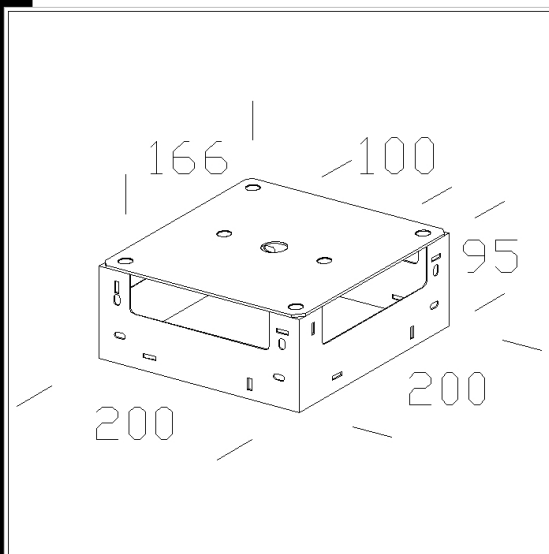


1911 Cubo

De chapa de acero. Permite la unin de hasta cuatro aparatos. Incluye dos tapas finales.

Download

DXF 2D
- acc1911.dxf



Code	Kg	WTot	Colour
994641-00	0,13	0 W	BLANCO

Prodotti



- 1903 Super - simple 2+2



- 1904 Super - LED



- 1901 Super - simple 1+1

The reported luminous flux is the flux emitted by the light source with a tolerance of $\pm 10\%$ compared to the indicated value. The W tot column indicates the total wattage absorbed by the system without exceeding 10% of the indicated