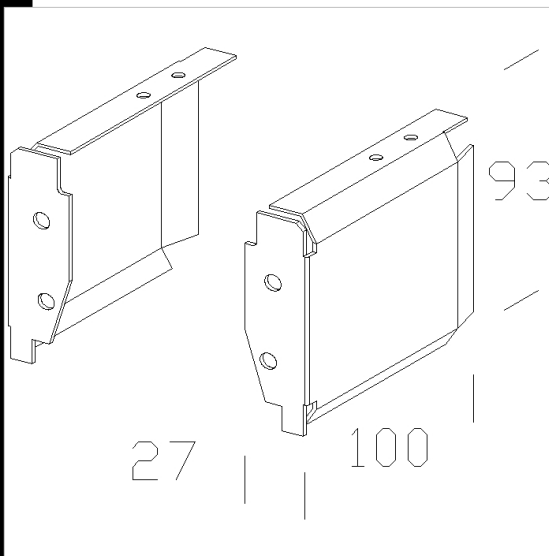


1914 soporte de unión

De chapa de acero. Autilizar con el cubo acc. 1911/1912. Precio del conjunto con 2 piezas.

Download

DXF 2D
- acc1914.dxf



Code	Kg	WTot	Colour
994637-00	0,11	0 W	CINCADO

Prodotti



- 1903 Super - simple 2+2



- 1904 Super - LED



- 1901 Super - simple 1+1

The reported luminous flux is the flux emitted by the light source with a tolerance of $\pm 10\%$ compared to the indicated value. The W tot column indicates the total wattage absorbed by the system without exceeding 10% of the indicated