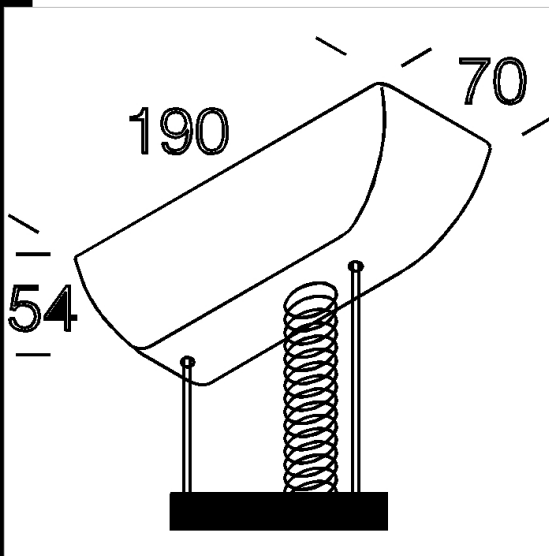


2608 suspensión electricada

Cobertura deniln con soportes de acero. Incluyecable de acero (l=1,5m) con dispositivo para regulacin milimtrica y cable dealimentacin espiralado.



Code	Kg	WTot	Colour
994617-00	0,73	0 W	BLANCO

Prodotti



- 731 Minicomfort R LED -



- 731 Minicomfort LED x4 -



- 740 LED Panel R - CRI 80



- 740 LED Panel - CRI 93

Download

DXF 2D
- d2608.dxf

The reported luminous flux is the flux emitted by the light source with a tolerance of $\pm 10\%$ compared to the indicated value. The W tot column indicates the total wattage absorbed by the system without exceeding 10% of the indicated