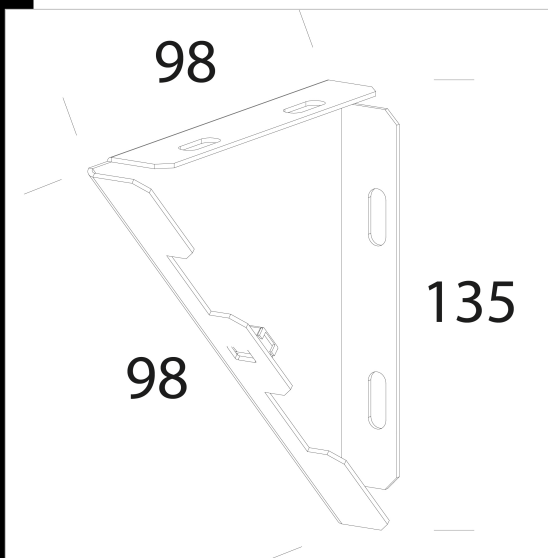
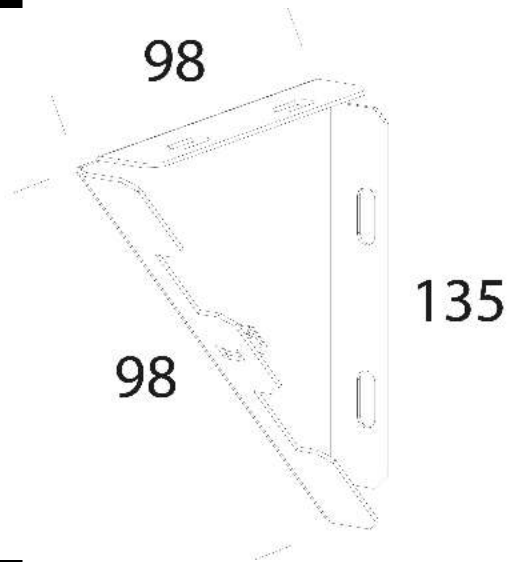


588 soporte

Fijación para pared. Juego de 2 piezas.



Code	Kg	WTot	Colour
993971-00	0,13	0 W	BLANCO

Prodotti



- 602 Disanlens



- 601 Disanlens

Download

DXF 2D  
- 588.dxf

The reported luminous flux is the flux emitted by the light source with a tolerance of  $\pm 10\%$  compared to the indicated value. The W tot column indicates the total wattage absorbed by the system without exceeding 10% of the indicated