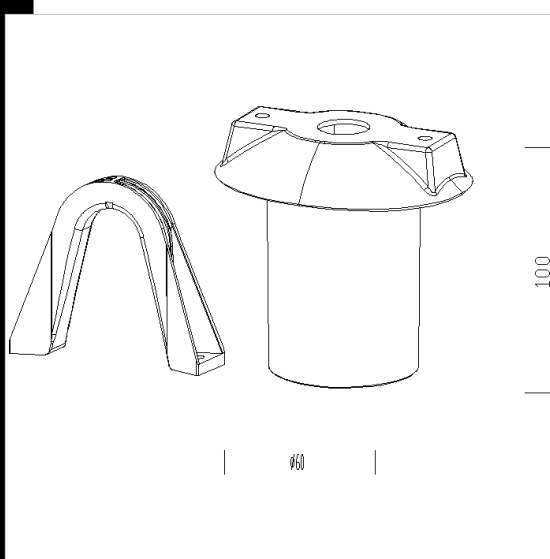
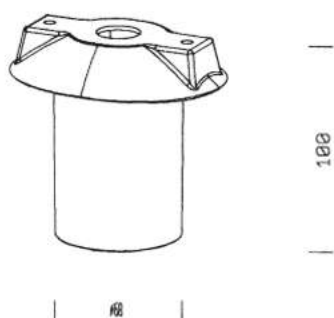


307 fijación en suspension

De aluminio. Utilizar con el acc. 306 para la instalacin en suspensin de los art. 1770/71/72 .

Download  
DXF 2D  
- acc 307 .dxf



Code	Kg	WTot	Colour
993920-00	0,00	0 W	ARGENTO SAB.
993928-00	0,31	0 W	GRAFITO

Prodotti



- 1770 Lanterna 2 - Con rejilla



- 1771 Lanterna 2 - con diffusor

The reported luminous flux is the flux emitted by the light source with a tolerance of  $\pm 10\%$  compared to the indicated value. The W tot column indicates the total wattage absorbed by the system without exceeding 10% of the indicated