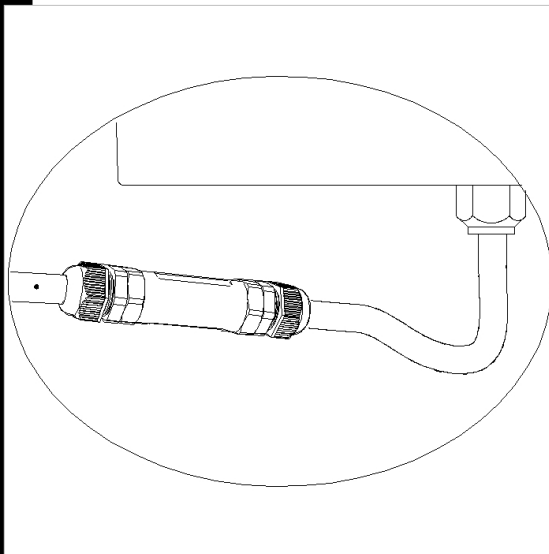
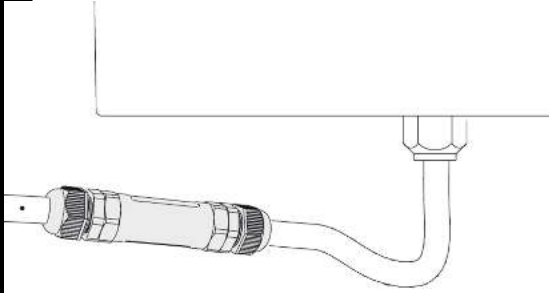


Download

DXF 2D
- 369.dxf



Code	Kg	WTot	Colour
993838-00	0,39	0 W	NEGRO

Prodotti



The reported luminous flux is the flux emitted by the light source with a tolerance of $\pm 10\%$ compared to the indicated value. The W tot column indicates the total wattage absorbed by the system without exceeding 10% of the indicated