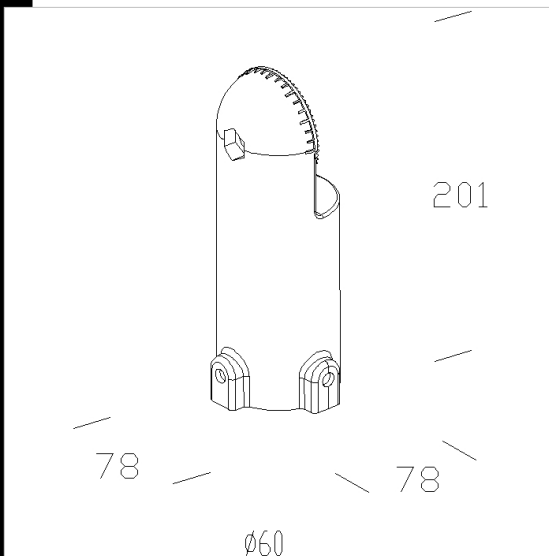


455 acoplamiento pequeño columna

Para utilizar para instalar el art. Capri sobre columna 60. Acoplamiento orientable.

Download

DXF 2D
- 455.dxf



| Code | Kg | WTot | Colour |
|-----------|------|------|-----------|
| 991405-00 | 0,47 | 0 W | ANTRACITA |
| 991401-00 | 0,47 | 0 W | GREY9007 |
| 991400-00 | 0,47 | 0 W | GRAFITO |

Prodotti



- 1244 Torpedo para vias de



- 1581 Volo - Street optic



- 1582 Volo - estensivo



- 1572 Volo para vias de



- 1580 Volo - asimétrico



- 1240 Torpedo



- 1573 Volo LED haz ancho



- 1593 Volo LED - para vias de bicicletas

The reported luminous flux is the flux emitted by the light source with a tolerance of $\pm 10\%$ compared to the indicated value. The W tot column indicates the total wattage absorbed by the system without exceeding 10% of the indicated