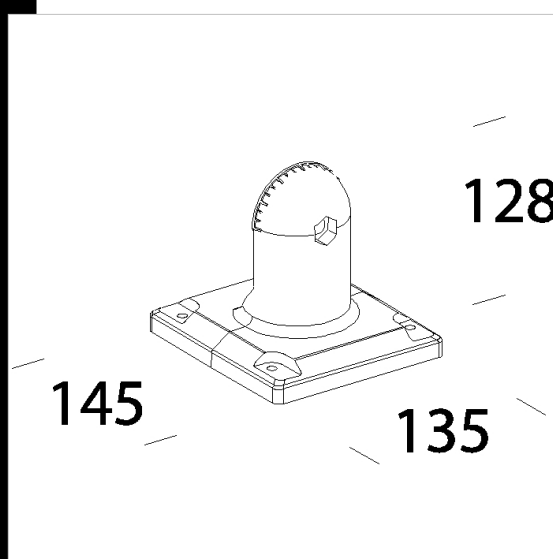
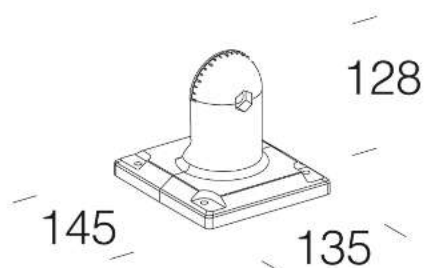


456 acoplamiento pared

Utilizar para instalar el art. Capri en la pared o sobre el cubo Lione. Con cremallera antidesplazamiento. Acoplamiento orientable.

Download

DXF 2D
- 456.dxf



Code	Kg	WTot	Colour
991406-00	0,89	0 W	ANTRACITA
991403-00	0,87	0 W	GREY9007
991402-00	0,71	0 W	GRAFITO

Prodotti



- 1244 Torpedo para vias de



- 1581 Volo - Street optic



- 1582 Volo - extensivo



- 1572 Volo para vias de



- 1580 Volo - asimétrico



- 1240 Torpedo



- 1573 Volo LED haz ancho



- 1593 Volo LED - para vias de bicicletas

The reported luminous flux is the flux emitted by the light source with a tolerance of $\pm 10\%$ compared to the indicated value. The W tot column indicates the total wattage absorbed by the system without exceeding 10% of the indicated