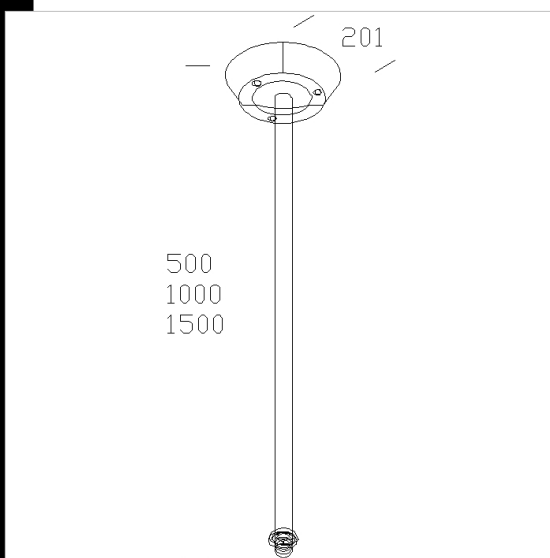


14 fijación al techo ø 30

Dealuminio fundido a presin color plata con tratamiento de arena, con un tubo de acero de un de 30. Permite la instalación en suspensión. De varias medidas.



Download

DXF 2D  
- d14.dxf

Code	Kg	WTot	Colour
991344-00	5,00	0 W	PLATA EST.
991342-00	2,00	0 W	PLATA EST.
991343-00	3,50	0 W	PLATA EST.
991447-00	1,00	0 W	GRAFITO
991448-00	2,00	0 W	GRAFITO
991449-00	2,00	0 W	GRAFITO

Prodotti



- 3301 Visconti 2 - Con cristal



- 3307 Visconti 8 LED -  
Alumbrado publico



- 3310 Visconti 11 LED

The reported luminous flux is the flux emitted by the light source with a tolerance of  $\pm 10\%$  compared to the indicated value. The W tot column indicates the total wattage absorbed by the system without exceeding 10% of the indicated