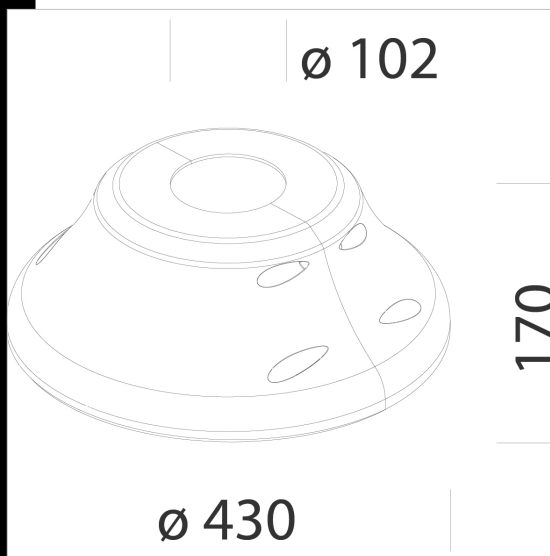
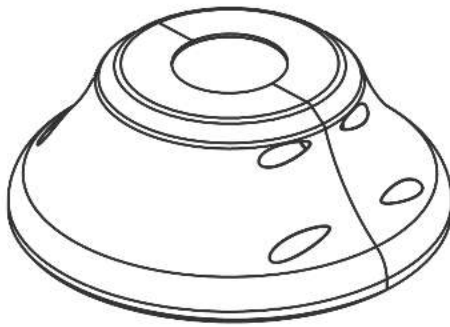


222 Pole base cover 102

To be used as base pole cover acc. 1485/1487

Download

DXF 2D  
- 222-102.dxf



Code	Kg	WTot	Colour
991315-00	3,50	0 W	GRAFITO

Pali



- 1487 poste para enterrar -



- 1485 poste con base  $\varnothing 102$



- 1485 poste con base - Pegaso



- 1487 poste para enterrar  $\varnothing 102$

The reported luminous flux is the flux emitted by the light source with a tolerance of  $\pm 10\%$  compared to the indicated value. The W tot column indicates the total wattage absorbed by the system without exceeding 10% of the indicated