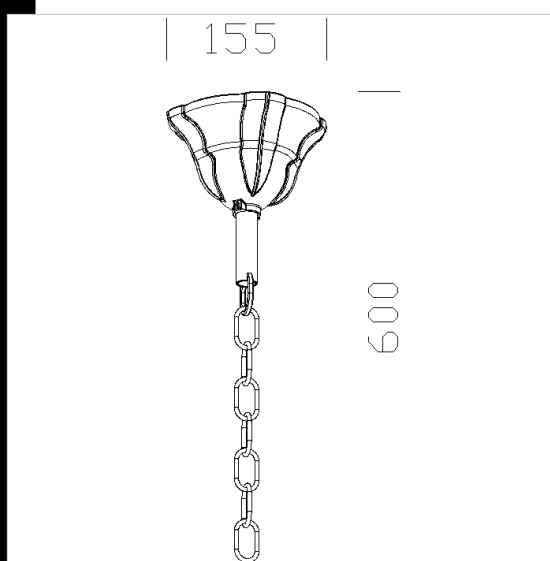
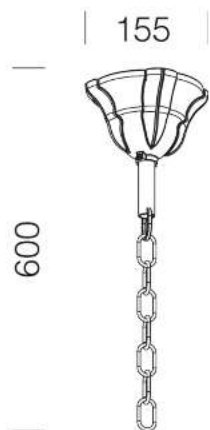


Download

DXF 2D  
- 518.dxf



Code	Kg	WTot	Colour
991284-00	0,66	0 W	ANTRACITA

Prodotti



- 3204 Lucerna Q4 de



- 3214 Lucerna R4 de



- 3206 Lucerna Q6 LED



- 3216 Lucerna R6 LED



- 3205 Lucerna Q5 de suspensión con vidrio



- 3215 Lucerna R5 de suspensión con vidrio



- 3326 Lucerna Q9 FX

The reported luminous flux is the flux emitted by the light source with a tolerance of  $\pm 10\%$  compared to the indicated value. The W tot column indicates the total wattage absorbed by the system without exceeding 10% of the indicated