



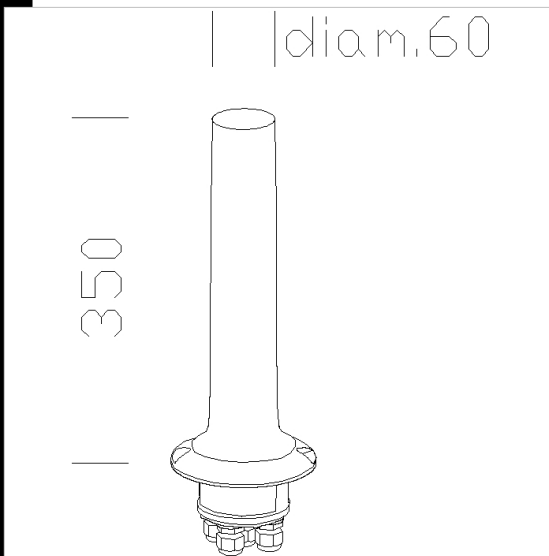
Download

- DXF 2D
- 517.dxf
- 3DS
- disano_517_lucerna.3ds
- 3DM
- disano_517_lucerna.3dm



517 acoplamiento central

De aluminio inyectado fundido a presin, usar con acc. 1420-21 con cable de alimentacin con funda externa de PVC y conductores de doble aislamiento de silicona de 2x1 m2 de seccion. Caja de derivacin de plstico o borne para la conexin elctrica.
Tornillos de acero inoxidable.



Code	Kg	WTot	Colour
99128300-00	0,00	0 W	

Pali



- 1420 poste con base



- 1421 poste para enterrar

Prodotti



- 3203 Lucerna Q3 con difusor



- 3210 Lucerna R1



- 3213 Lucerna R3 con difusor



- 3212 Lucerna R LED



- 3209 Lucerna Q8 LED asimétrico



- 3214 Lucerna LED



- 3202 Lucerna Q2 LED COB



- 3202 Lucerna Q2 LED

The reported luminous flux is the flux emitted by the light source with a tolerance of $\pm 10\%$ compared to the indicated value. The W tot column indicates the total wattage absorbed by the system without exceeding 10% of the indicated