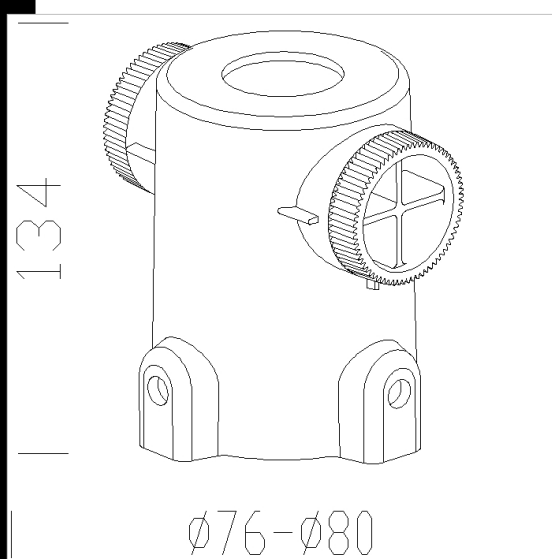
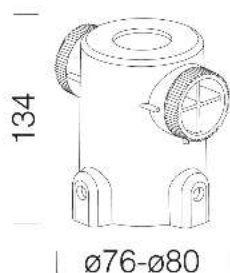


Download

DXF 2D
- 363.dxf



Code	Kg	WTot
991231-00	0,00	0 W

Prodotti



- 1662 Brallo



- 1663 Brallo - para vías de

The reported luminous flux is the flux emitted by the light source with a tolerance of $\pm 10\%$ compared to the indicated value. The W tot column indicates the total wattage absorbed by the system without exceeding 10% of the indicated