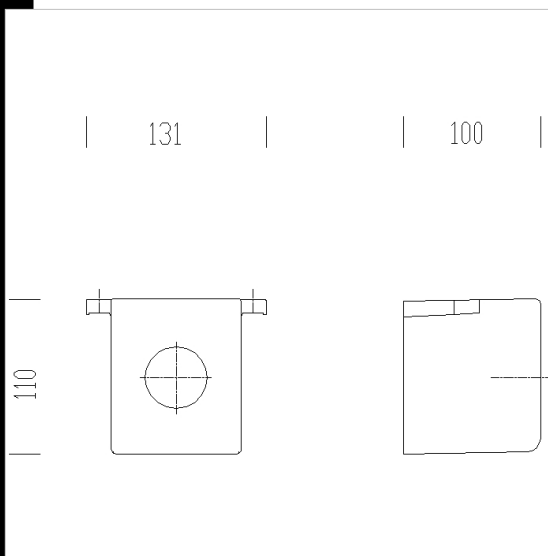
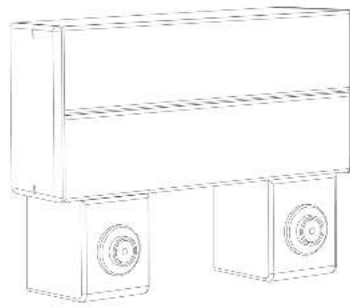


Download

DXF 2D  
- acc7210.dxf



Code	Kg	WTot
721000-00	0,00	0 W

Prodotti



- 7202 Serena - luz directa +



- 7201 Serena - luz directa



- 7204 Serena - versiones



- 7203 Serena - luz

The reported luminous flux is the flux emitted by the light source with a tolerance of  $\pm 10\%$  compared to the indicated value. The W tot column indicates the total wattage absorbed by the system without exceeding 10% of the indicated