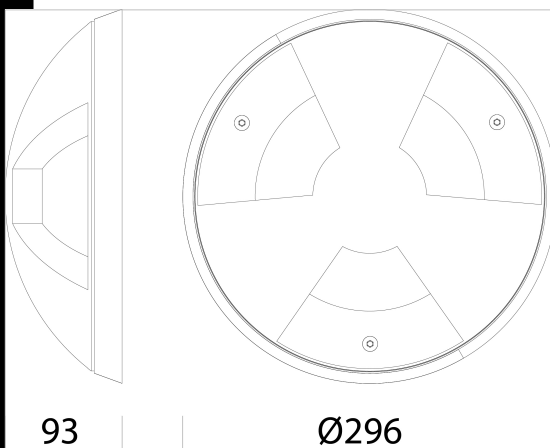


2613 Ground - Con diffusor combado y marco

Cuerpo: de alum. fundido a presión. Difusor: de cristal semiesférico resistentes a los cambios bruscos de temperatura, a los choques. Dotación: prensaestopa de nilón PG11 y predisposición para tira continua. Mantenimiento del flujo luminoso al 70% 50.000h (L70B50).



| Code | Gear | Kg | Lumen Output-K-CRI | WTot | Colour |
|-----------|------|------|-----------------------------|------|---------|
| 530600-00 | CLD | 2,48 | LED COB-1100lm-4000K-CRI 90 | 20 W | GRAFITO |



Download

- DXF 2D
- 2613.dxf
- 3DS
- disano_2613_ground.3ds
- 3DM
- disano_2613_ground.3dm
- Montaggi
- ground 05-21.pdf
- BIM
- 2613 Ground - with convex screen and frame - 20200611.zip

The reported luminous flux is the flux emitted by the light source with a tolerance of ± 10% compared to the indicated value. The W tot column indicates the total wattage absorbed by the system without exceeding 10% of the indicated