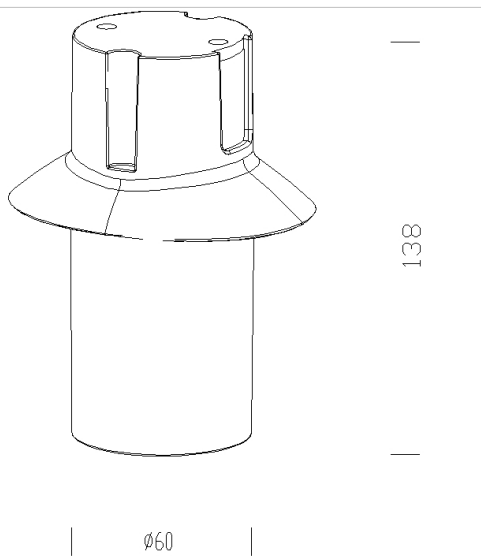
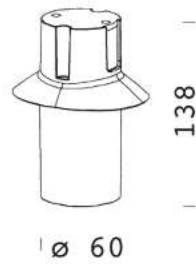


309 conexión ø 60

De aluminio. Utilizar siempre con el acc. 301 para la instalacin del aparato en el brazo.

Download

DXF 2D
- acc 309.dxf



| Code | Kg | WTot | Colour |
|-----------|------|------|----------|
| 426994-00 | 0,36 | 0 W | GRAFITO |
| 426993-00 | 0,36 | 0 W | GREY9007 |

Prodotti



- 1765 Lanterna 1



- 1760 Lanterna 1 - Con rejilla



- 1762 Lanterna 1



- 1770 Lanterna 2 - Con rejilla



- 1763 Lanterna 1 - luz indirecta



- 1771 Lanterna 2 - con difusor



- 1766 Lanterna LED



- 1764 Lanterna 1 - luz indirecta con cristal

The reported luminous flux is the flux emitted by the light source with a tolerance of $\pm 10\%$ compared to the indicated value. The W tot column indicates the total wattage absorbed by the system without exceeding 10% of the indicated