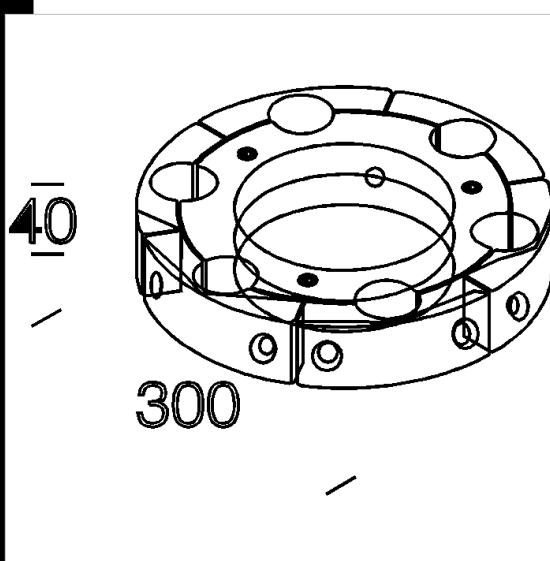
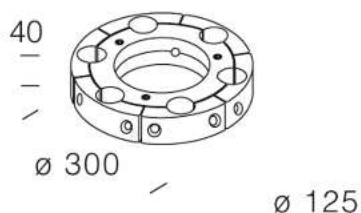


1465 brida ø120

De aluminioinyectado, barnizado por cataforesis. Para reforzar la estructura, con 6 sectores de fijacin brazos. Para columnas 1508/1509.

Download

- DXF 2D
- d1465.dxf
- 3DS
- disano_1465.3ds
- 3DM
- disano_1465.3dm



Code	Kg	WTot	Colour
426985-00	2,37	0 W	NEGRO
427001-00	2,37	0 W	GRAFITO
426991-00	2,37	0 W	GREY9007

Pall



- 1508 columna rayada ø120



- 1509 columna rayada ø120

Prodotti



- 1765 Lanterna 1



- 1760 Lanterna 1 - Con rejilla



- 1751 Metropolis intensivo



- 1597 Vista - Con rejilla



- 3131 Tex medium haz



- 1599 Vista



- 3124 Ghost - luz directa/indirecta



- 1762 Lanterna 1



- 1511 Torcia contra la



- 1511 Torcia



- 1599 Vista contra la



- 3172 Montecarlo



- 3174 Montecarlo con vetro



- 3136 Campana



- 3137 Campana



- 1770 Lanterna 2 - Con rejilla



- 1502 Polar



- 3132 Tex haz ancho




- 1763 Lanterna 1 - luz indirecta



- 1595 Vista - pantalla opal

The reported luminous flux is the flux emitted by the light source with a tolerance of ± 10% compared to the indicated value. The W tot column indicates the total wattage absorbed by the system without exceeding 10% of the indicated

Prodotti

	- 1752 Metropolis estensivo		- 1320 Base grande		- 1214 Clima		- 3114 Ghost - luz directa/indirecta
	- 1313 Base aluminio - cableado CNRL		- 1598 Vista - luz indirecta		- 1313 Base aluminio - cableado S/CNR		- 1771 Lanterna 2 - con difusor
	- 1504 Clima		- 3183 Sforza Ø500		- 1513 Torcia LED COB		- 1766 Lanterna LED
	- 1753 Metropolis para vias de bicicletas		- 3186 Sforza Ø500 centro de la via		- 1514 Clima per zona 1		- 3171 Montecarlo - asimétrico
	- 1598 Vista - para Zona 1		- 3175 Montecarlo LED - extensivo - elípticas		- 1517 Clima LED		- 3224 Sforza LED extensivo
	- 3142 Campana LED		- 1518 Clima LED contra la contaminación luminica		- 1202 Polar		- 3226 Sforza LED centro de la via
	- 1512 Bastia - LED		- 3227 Sforza LED		- 1221 Bastia		- 1750 Metropolis
	- 3141 Campana LED		- 3301 Visconti 2 - Con cristal		- 3307 Visconti 8 LED -		- 3310 Visconti 11 LED
	- 3752 Metropolis - LED		- 3751 Metropolis - LED -		- 3146 Campana LED		- 1204 Clima
	- 1764 Lanterna 1 - luz indirecta						

The reported luminous flux is the flux emitted by the light source with a tolerance of $\pm 10\%$ compared to the indicated value. The W tot column indicates the total wattage absorbed by the system without exceeding 10% of the indicated