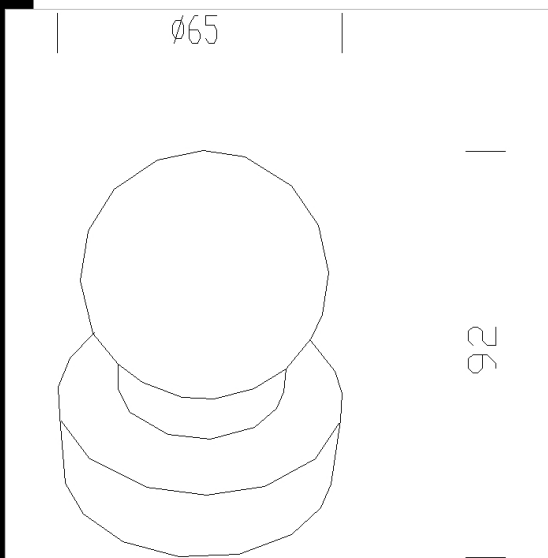
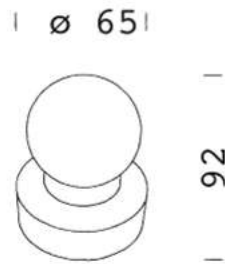


305 tapa de cierre

Utilizar cuando en el acc. 210 no se instala ningn aparato. Para el acabado esttico.

Download

DXF 2D
- tappo_x_braccio.dxf



Code	Kg	WTot	Colour
426979-00	0,13	0 W	GREY9007
426980-00	0,14	0 W	GRAFITO

Prodotti



- 1752 Metropolis extensivo



- 1753 Metropolis para vias de



- 1750 Metropolis



- 1751 Metropolis intensivo

The reported luminous flux is the flux emitted by the light source with a tolerance of $\pm 10\%$ compared to the indicated value. The W tot column indicates the total wattage absorbed by the system without exceeding 10% of the indicated