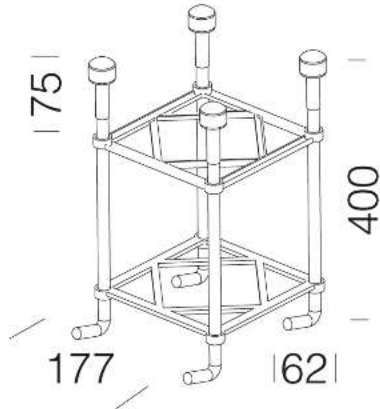


Download



Code	Kg	WTot	Colour
426448-00	4,75	0 W	ACERO

Pali



- 1475 columna "Aliante" para



- 1490 Columna Liberty

Prodotti



- 3206 Lucerna Q6 LED



- 3216 Lucerna R6 LED



- null



- 3326 Lucerna Q9 FX

The reported luminous flux is the flux emitted by the light source with a tolerance of $\pm 10\%$ compared to the indicated value. The W tot column indicates the total wattage absorbed by the system without exceeding 10% of the indicated