



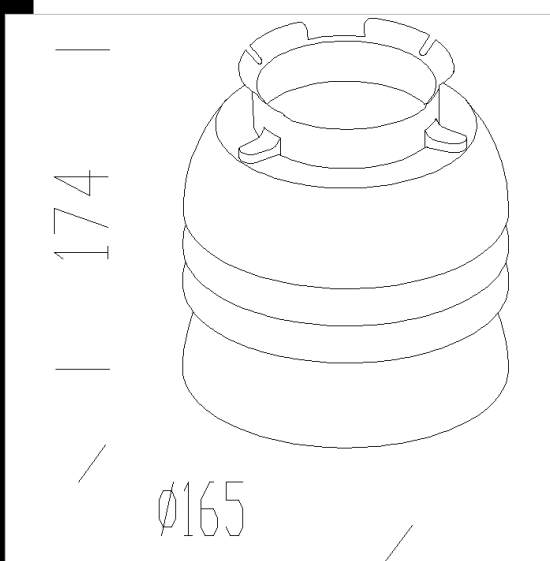
Download

DXF 2D
- 1319.dxf



1329 laminar

De aluminio 99,5oxidado. Versin Mx 125 para acc. 1313. De color gris oscuroideal para un mayor apantallado de la Impara, aconsejado slo en caso de presencia de observadores astrnmicos profesionales.



Code	Kg	Lumen-K-CRI	WTot	Base	Colour
426276-0016	0,47	SAP-E 100---	0 W	E40	ALUMINIO
426276-00	0,50	MAX 100---	0 W	E27	ALUMINIO

Prodotti



- 1331 globos plata



- 1332 globos negro speciale



- 1330 base para globos



- 1331 globos plata special



- 1313 Base aluminio - cableado CNRL



- 1313 Base aluminio - cableado S/CNR



- 1300 TR



- 1332 globos negro

The reported luminous flux is the flux emitted by the light source with a tolerance of $\pm 10\%$ compared to the indicated value. The W tot column indicates the total wattage absorbed by the system without exceeding 10% of the indicated