

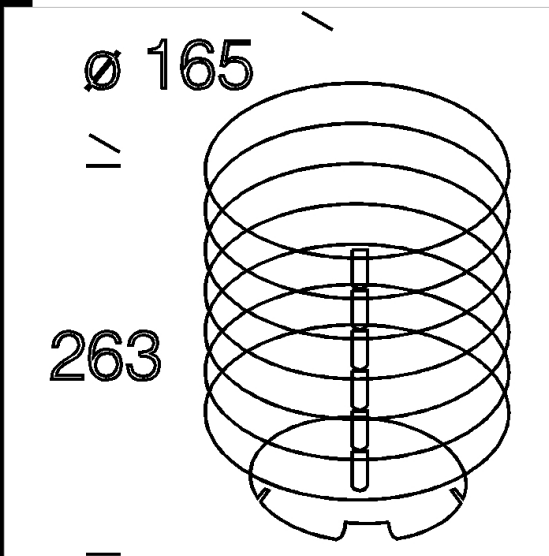


Download
DXF 2D
- acc1314.dxf



1314 Laminar

De aluminio 99,5oxidado. Versin Mx 125 para acc. 1313. Versin Mx 150 para acc. 1318. De color gris oscuroideal para un mayor apantallado de la Impara, aconsejado slo en caso de presencia de observadores astronomicos profesionales.



Code	Kg	Lumen-K-CRI	WTot	Base	Colour
426257-00	1,00	MAX 100---	0 W	E27	ALUMINIO

Prodotti



- 1313 Base aluminio - cableado



- 1300 TR

The reported luminous flux is the flux emitted by the light source with a tolerance of $\pm 10\%$ compared to the indicated value. The W tot column indicates the total wattage absorbed by the system without exceeding 10% of the indicated