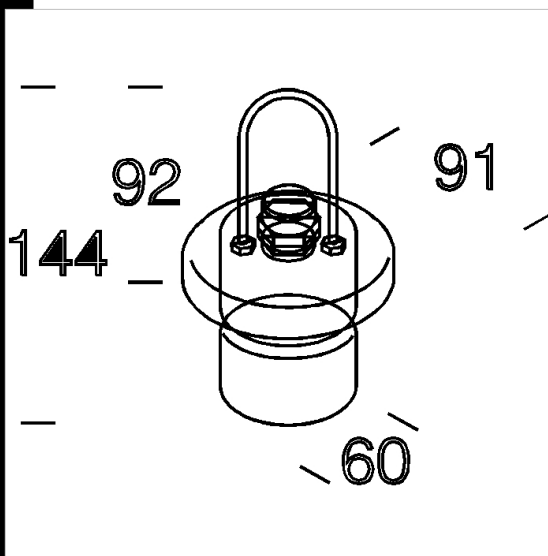
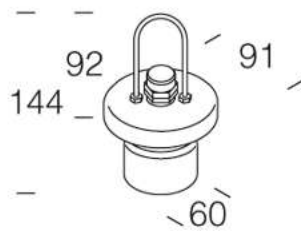


1324 fijación en suspension

De acerotropicalizado barnizado por cataforesis epoxdica, color negro y acabados satinado. Para instalacin en suspensin del acc.1313/1318.

Download

DXF 2D
- d1324.dxf



Code	Kg	WTot	Colour
426236-00	0,44	0 W	GRAFITO

Prodotti



- 1331 globos plata



- 1355 Sferico barnizado



- 1332 globos negro speciale



- 1330 base para globos



- 1320 Base grande



- 1313 Base aluminio - cableado CNRL



- 1305 globos plata



- 1306 globos negro



- 1355 Sferico barnizado special



- 1313 Base aluminio - cableado S/CNR



- 1332 globos negro

The reported luminous flux is the flux emitted by the light source with a tolerance of $\pm 10\%$ compared to the indicated value. The W tot column indicates the total wattage absorbed by the system without exceeding 10% of the indicated