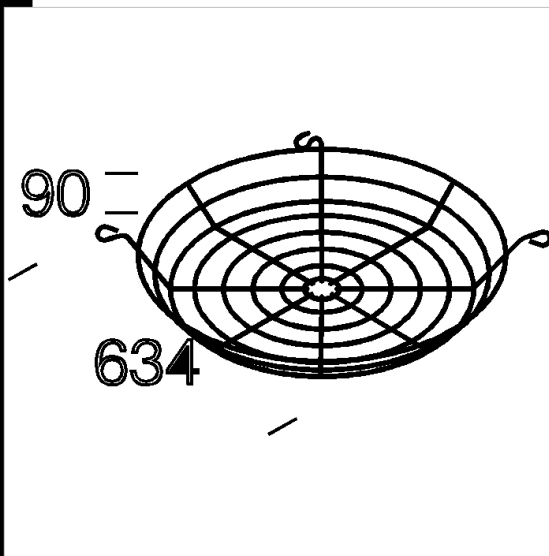
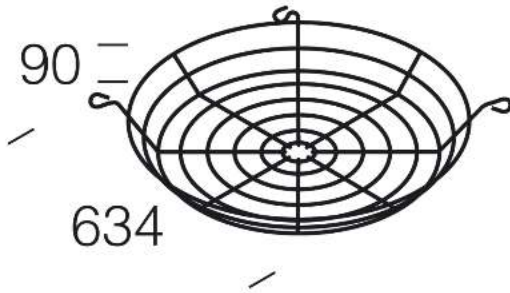


1160 jaula

Jaula de proteccionantichoque de varilla de acero plastificado con rilsan. Fijacin mediantetornillos. Para art. Quark-Quasar-Photon.



Code	Kg	WTot	Colour
321010-00	0,48	0 W	NEGRO

Prodotti



- 1217 Photon - intensivo



- 1109 Quasar



- 1216 Photon - estensivo



- 1110 Quasar - con cristal



- 1218 Photon - intensivo



- 1215 Photon - estensivo



- 1116 Quark - estensivo



- 1117 Quark - intensivo



- 1219 Photon - estensivo CDM MW



- 1115 Quark - estensivo

Download

DXF 2D
- d1160.dxf

The reported luminous flux is the flux emitted by the light source with a tolerance of $\pm 10\%$ compared to the indicated value. The W tot column indicates the total wattage absorbed by the system without exceeding 10% of the indicated