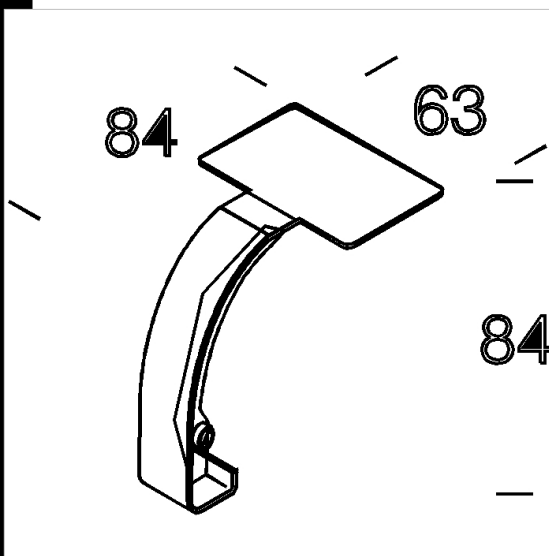


6422 unión para alinear

De ABS. A utilizarsi sempre en pareja, para alinear los reflectores 6416/6417/6418 instalados en fila continua. Sobre con 2 piezas.

Download
DXF 2D
- d6422.dxf



Code	Kg	WTot	Colour
237756-00	0,02	0 W	BLANCO

Prodotti



- 6501 Rapid System T5 - con



- 6401 Rapid System T5 - con



- 6401 Rapid System - con



- 6501 Rapid System - con

The reported luminous flux is the flux emitted by the light source with a tolerance of $\pm 10\%$ compared to the indicated value. The W tot column indicates the total wattage absorbed by the system without exceeding 10% of the indicated