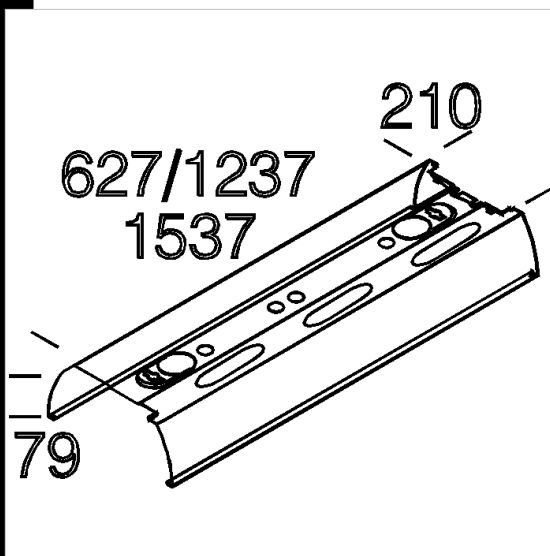


6417 reflector luz directa/indirecta

De acero. Posibilidadde luz directa e indirecta con aperturas en la parte superior para emisinindirecta.



Code	Kg	Lumen-K-CRI	WTot	Colour
237745-00	1,55	FL 1/2x36---	0 W	BLANCO
237746-00	1,93	FL 1/2x58---	0 W	BLANCO

Prodotti



- 6401 Rapid System - con



- 6501 Rapid System - con

The reported luminous flux is the flux emitted by the light source with a tolerance of  $\pm 10\%$  compared to the indicated value. The W tot column indicates the total wattage absorbed by the system without exceeding 10% of the indicated