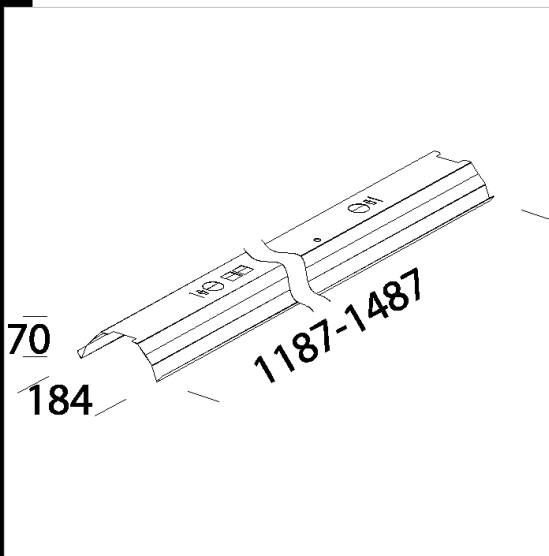
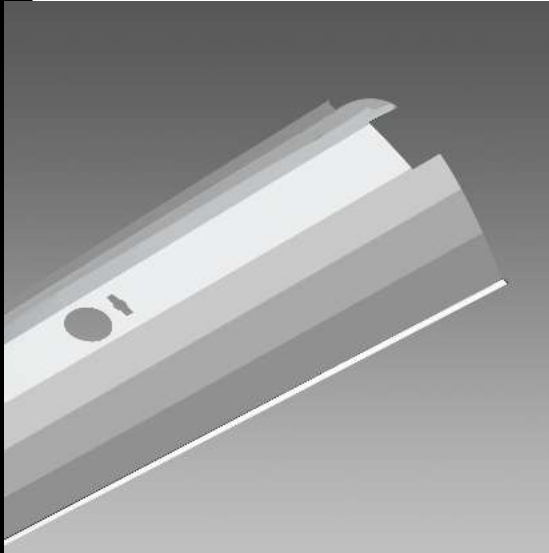


6412 reflector mono/bi

De alluminio especular 99,85 bruido anodizado espesor 2.



Code	Kg	Lumen-K-CRI	WTot	Base	Colour
237730-00	0,40	FL 1/2x54---	0 W		ALUMINIO
237731-00	0,59	FL 1/2x49/80---	0 W		ALUMINIO
237729-00	0,18	FL 1x14---	0 W	G5	ALUMINIO

Prodotti



- 6501 Rapid System T5 - con



- 6502 Rapid system -



- 6401 Rapid System T5 - con



- 6402 Rapid system -

The reported luminous flux is the flux emitted by the light source with a tolerance of  $\pm 10\%$  compared to the indicated value. The W tot column indicates the total wattage absorbed by the system without exceeding 10% of the indicated