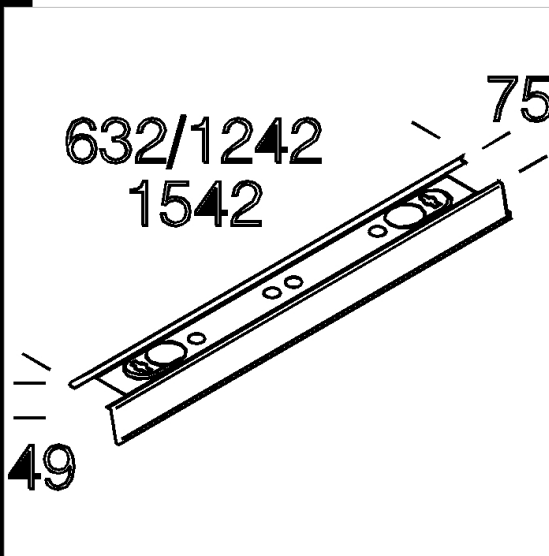


6440 reflector angular mono

De acero prebarnizado con resina de polister, color blanco. Aplicaciones: mesas de trabajo



| Code | Kg | Lumen-K-CRI | WTot | Base | Colour |
|-----------|------|----------------------------|------|------|--------|
| 237717-00 | 0,81 | FL 1x58-5200lm-4000K-Ra 1b | 0 W | G13 | BLANCO |
| 237716-00 | 0,64 | FL 1x36-3350lm-4000K-Ra 1b | 0 W | G13 | BLANCO |
| 237715-00 | 0,36 | FL 1x18-1350lm-4000K-Ra 1b | 0 W | G13 | BLANCO |

Prodotti



- 6401 Rapid System - con



- 6501 Rapid System - con

The reported luminous flux is the flux emitted by the light source with a tolerance of $\pm 10\%$ compared to the indicated value. The W tot column indicates the total wattage absorbed by the system without exceeding 10% of the indicated