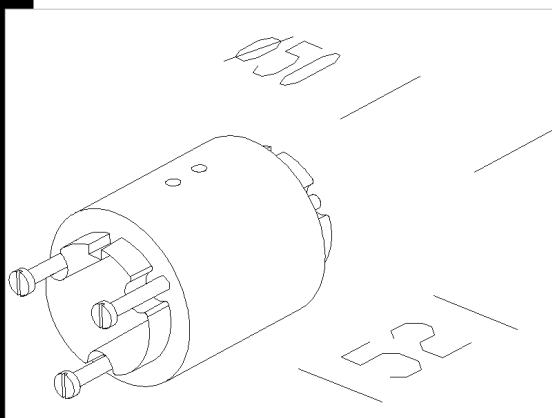


Giunto lineare "S" Omnitrack

In acciaio e nylonf.v. Per la sospensione la rotazione sul proprio asse e la giunzione a "L" della struttura.



| Code | Kg | WTot | Colour |
|-------------|------|------|--------|
| 22271530-00 | 0,15 | 0 W | NEGRO |
| 22271572-00 | 0,16 | 0 W | PLATA |

Prodotti



- Estructura Omnitrack

The reported luminous flux is the flux emitted by the light source with a tolerance of $\pm 10\%$ compared to the indicated value. The W tot column indicates the total wattage absorbed by the system without exceeding 10% of the indicated