



Download
DXF 2D
- 181218a.dxf



Store 3

The STORE a new beam optic unit has been created with CDM and/or AR111 lamps.
Installation has been improved too, by a springs system, making recessed installation faster and easier.

Coating: Fluid-coated with a humidity resistant, UV-stabilised acrylic-resin paint, interior part is black and the border is white .

Lampholder: Ceramic with silver-plated contacts.

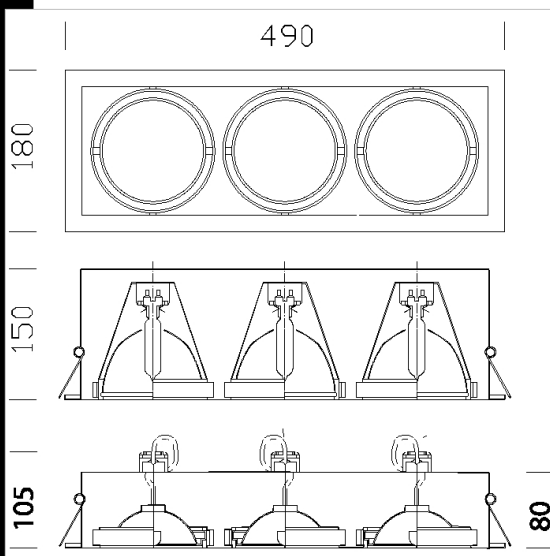
Electric gear: Equipped without transformer and silicon cable, cross section 0.75 mm².

Equipment: Supplied with springs ensuring perfect adherence to 1 to 25 mm thick false ceilings.

Terminal block: maximum allowed lead cross section 1,5mm²

Lamp: Complete with halogen lamps and/or ceramic metal halide lamp.

Regulations: Manufactured in accordance with EN 60598-1-CEI 34-21 standards. Degree of protection in accordance with EN60529 standard.



Code	Gear	Kg	Watt	Base	Lamps	Colour
22181278-00	CELL	3,80	3xCDM-T 70W	G12	--	PLATA
22181275-00	CTL+CELL	3,30	AR111 2x75W + CDM-T 70W	G53+G12	--	PLATA
22181217-00	CTL+CELL	0,90	CDM-T 2x70 + AR111 75	G12+G53	--	BLANCO
22181415-00	CELL	0,90	CDM-R111 3x70	Gx8.5	2850lm-3000K-Ra 1b	BLANCO
22181276-00	S+L	2,05	3xAR111 75W	G53	--	PLATA
22181218-00	CELL	3,80	3xCDM-T 70W	G12	6700lm-3000K-Ra 1b	BLANCO
22181216-00	S+L	2,05	3xAR111 75W	G53	--	BLANCO
22181215-00	CTL+CELL	2,95	AR111 2x75W + CDM-T 70W	G53+G12	860lm-3000K-Ra 100	BLANCO
22181277-00	CTL+CELL	3,25	CDM-T 2x70 + AR111 75	G12+G53	--	PLATA