

Descargar

DXF 2D
- 181211a.dxf



Store 1

The STORE a new beam optic unit has been created with CDM and/or AR111 lamps.

Installation has been improved too, by a springs system, making recessed installation faster and easier.

Coating: Fluid-coated with a humidity resistant, UV-stabilised acrylic-resin paint, interior part is black and the border is white .

Lampholder: Ceramic with silver-plated contacts.

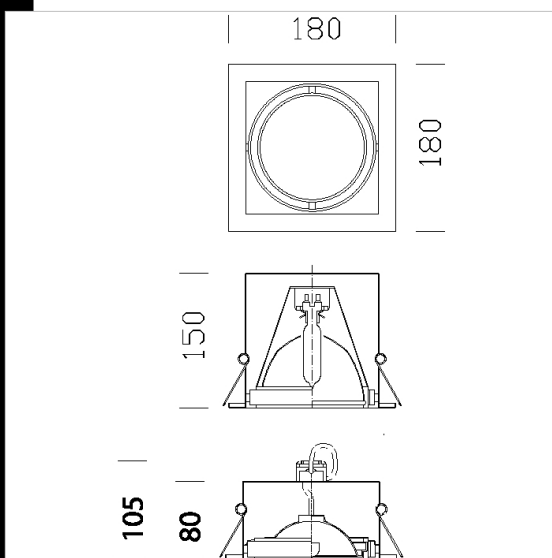
Electric gear: Equipped without transformer and silicon cable, cross section 0.75 mm².

Equipment: Supplied with springs ensuring perfect adherence to 1 to 25 mm thick false ceilings.

Terminal block: maximum allowed lead cross section 1,5mm²

Lamp: Complete with halogen lamps and/or ceramic metal halide lamp.

Regulations: Manufactured in accordance with EN 60598-1-CEI 34-21 standards. Degree of protection in accordance with EN60529 standard.



Código	Cableado	Kg	Lumen-K-CRI	WTot	Fijación base	Color
22181414-00	CELL	0.90	CDM-R111 70-2850lm-3000K-Ra 1b	80 W	Gx8.5	BIANCO
22181219-00	CELL	1.50	CDM-T 35-3500lm-3000K-Ra 1b	43 W	G12	BIANCO
22181210-00	S+L	0.90	AR111 75-5300cd-3000K-Ra 100	75 W	G53	BIANCO
22181474-00	CELL	0.90	CDM-R111 70-2850lm-3000K-Ra 1b	80 W	Gx8.5	ARGENTO
22181211-00	CELL	1.55	CDM-T 70-6600lm-3000K-Ra 1b	78 W	G12	BIANCO
22181273-00	CELL	1.55	CDM-T 70-6600lm-3000K-Ra 1b	78 W	G12	ARGENTO

El flujo luminoso mostrado indica el flujo de salida de la luminaria con una tolerancia de \pm el 10% respecto al valor indicado. Los W tot son la potencia total absorbida por el sistema y no superan el 10% del valor indicado.