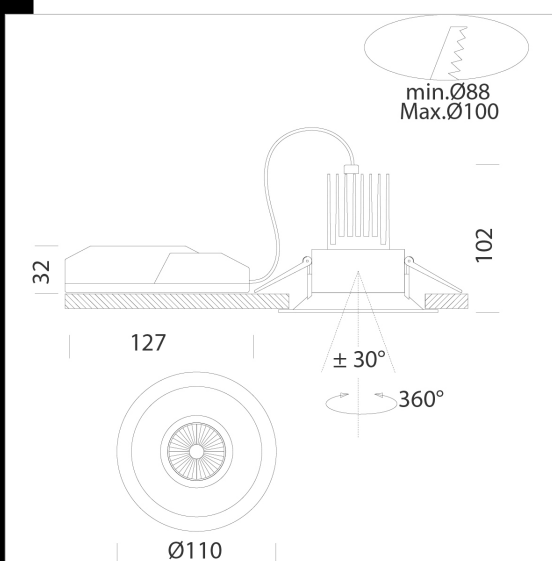


iSpot Architectural 1

Cuore: De alluminio fuso a pressione.
 Lente: in PMMA di alta efficienza con un coefficiente di deslumbramento molto basso.
 Normativa: Fabricado en conformidad a las normas EN60598 - CEI 34-21, están protegidos con el grado según las normas EN60529.
 Clase de seguridad fotobiológica Grupo exento EN62471
 Factor de potencia: ≥ 0.9
 Mantenimiento del flujo luminoso al 80%: 50.000h (L80B20).
 empotrado $\varnothing 88/100$ mm



Download

DXF 2D
 - ispota11.dxf

Montaggi
 - ISPOT_ARCHITECTURAL_1-2
 REV1.pdf

Code	Gear	Kg	Lumen Output-K-CRI	WTot	Colour
22167310-00	CLD CELL-DI	0,42	LED COB-957lm-3000K-60°-CRI 92	10 W	BIANCO
22167311-00	CLD CELL-DI	0,43	LED COB-990lm-4000K-60°-CRI 92	10 W	BIANCO
22167310-1241	CLD CELL-D-D	0,39	LED COB-957lm-3000K-60°-CRI 92	10 W	BIANCO
22167311-1241	CLD CELL-D-D	0,38	LED COB-990lm-4000K-60°-CRI 92	12 W	BIANCO
22167310-09	CLD CELL-DI-E	0,76	LED COB-957lm-3000K-60°-CRI 92	10 W	BIANCO
22167311-09	CLD CELL-DI-E	0,74	LED COB-990lm-4000K-60°-CRI 92	10 W	BIANCO
22167310-31	CLD CELL-DI-E	0,85	LED COB-957lm-3000K-60°-CRI 92	10 W	BIANCO
22167311-31	CLD CELL-DI-E	0,85	LED COB-990lm-4000K-60°-CRI 92	10 W	BIANCO

The reported luminous flux is the flux emitted by the light source with a tolerance of $\pm 10\%$ compared to the indicated value. The W tot column indicates the total wattage absorbed by the system without exceeding 10% of the indicated