

Office 2 Dark - UGR<19

Familia de aparatos estudiados para unir un elevado ahorro energético a una óptima calidad de luz emitida, para responder a las varias exigencias de seguridad y mantenimiento. El diseño del aparato es extremadamente simple y funcional. Fabricados en conformidad a las normas EN 12464 para video terminal

Cuerpo: De policarbonato irrompible y autoextinguible V2, estabilizado a los rayos UV, antiamarilleo.

Reflector: De policarbonato, autoextinguible V2, metalizado con polvos de aluminio, a alto vacío con procedimiento de C.V.D. para un mayor control y rendimiento de la luz.

Equipamiento: Incluyen resortes de acero inoxidable que brindan una adherencia perfecta al cielo raso de un espesor de 1 a 40 mm.

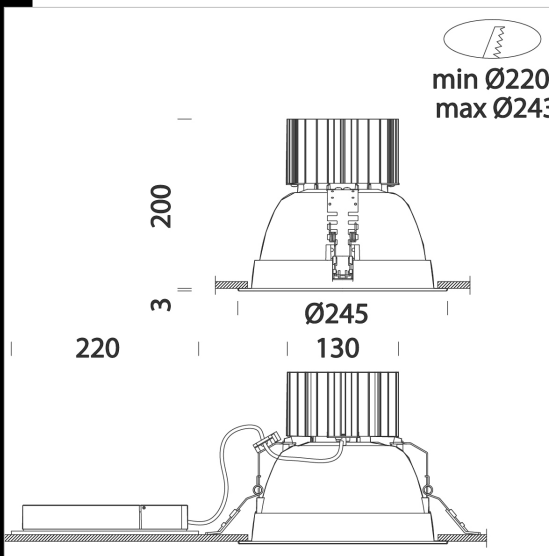
Normativa: Fabricados en conformidad a las normas EN 60598-1-CEI 34-21, tienen el grado de protección según las normas EN 60529.

LED: fuentes de luz de alta eficiencia DIMM 1/10V o DALI

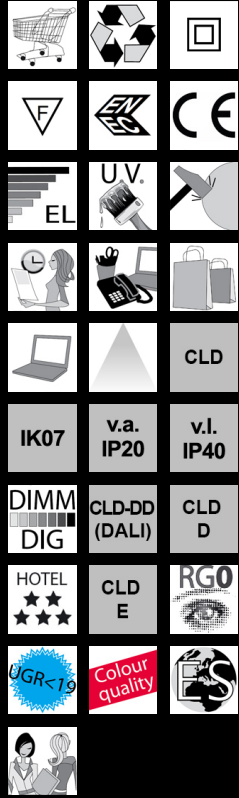
Factor de potencia: >0,95

Mantenimiento del flujo luminoso al 80%: 50.000h (L80B20).

Clase de seguridad fotobiológica Grupo exento EN62471



Code	Gear	Kg	Lumen Output-K-CRI	WTot	Colour
22152576-00	CLD CELL	0,94	LED COB-1950lm-4000K-CRI 92	19 W	PLATA
22152572-00	CLD CELL	1,35	LED COB-2392lm-4000K-CRI 92	25 W	PLATA
22152573-00	CLD CELL	1,35	LED COB-3835lm-4000K-CRI 92	39 W	PLATA
22152570-00	CLD CELL	1,03	LED COB-2392lm-4000K-CRI 92	25 W	PLATA
22152571-00	CLD CELL	1,15	LED COB-3345lm-4000K-CRI 92	34 W	PLATA
22152574-00	CLD CELL	1,15	LED COB-4028lm-4000K-CRI 92	39 W	PLATA
22152575-00	CLD CELL	1,60	LED COB-5082lm-4000K-CRI 92	54 W	PLATA
22152811-00	CLD CELL	2,30	LED COB-6062lm-4000K-CRI 92	69 W	PLATA
22152576-39	CLD CELL	1,01	LED COB-1813lm-3000K-CRI 92	19 W	PLATA
22152572-39	CLD CELL	1,07	LED COB-2225lm-3000K-CRI 92	26 W	PLATA
22152573-39	CLD CELL	0,97	LED COB-3567lm-3000K-CRI 92	39 W	PLATA
22152570-39	CLD CELL	1,10	LED COB-2225lm-3000K-CRI 92	25 W	PLATA
22152571-39	CLD CELL	1,15	LED COB-3111lm-3000K-CRI 92	34 W	PLATA
22152574-39	CLD CELL	0,94	LED COB-3746lm-3000K-CRI 92	39 W	PLATA
22152575-39	CLD CELL	1,32	LED COB-4726lm-3000K-CRI 92	54 W	PLATA
22152811-39	CLD CELL	1,57	LED COB-5638lm-3000K-CRI 92	67 W	PLATA
22152576-1241	CLD CELL-D-D	1,22	LED COB-1950lm-4000K-CRI 92	19 W	PLATA
22152572-1241	CLD CELL-D-D	1,35	LED COB-2392lm-4000K-CRI 92	25 W	PLATA
22152573-1241	CLD CELL-D-D	1,55	LED COB-3835lm-4000K-CRI 92	39 W	PLATA
22152570-1241	CLD CELL-D-D	1,19	LED COB-2392lm-4000K-CRI 92	25 W	PLATA
22152571-1241	CLD CELL-D-D	1,35	LED COB-3345lm-4000K-CRI 92	32 W	PLATA
22152574-1241	CLD CELL-D-D	1,50	LED COB-4028lm-4000K-CRI 92	39 W	PLATA
22152575-1241	CLD CELL-D-D	1,60	LED COB-5082lm-4000K-CRI 92	53 W	PLATA
22152811-1241	CLD CELL-D-D	1,56	LED COB-6062lm-4000K-CRI 92	69 W	PLATA
22152576-3941	CLD CELL-D-D	1,19	LED COB-1813lm-3000K-CRI 92	19 W	PLATA
22152572-3941	CLD CELL-D-D	1,35	LED COB-2225lm-3000K-CRI 92	25 W	PLATA
22152573-3941	CLD CELL-D-D	1,06	LED COB-3567lm-3000K-CRI 92	40 W	PLATA
22152570-3941	CLD CELL-D-D	1,19	LED COB-2225lm-3000K-CRI 92	25 W	PLATA
22152571-3941	CLD CELL-D-D	1,20	LED COB-3111lm-3000K-CRI 92	33 W	PLATA
22152574-3941	CLD CELL-D-D	1,50	LED COB-3746lm-3000K-CRI 92	39 W	PLATA
22152575-3941	CLD CELL-D-D	1,60	LED COB-4726lm-3000K-CRI 92	53 W	PLATA
22152811-3941	CLD CELL-D-D	1,48	LED COB-5638lm-3000K-CRI 92	69 W	PLATA



Download

DXF 2D
- off2dark2.dxf

Montaggi
- OFFICE 2 LED rev6.pdf

BIM
- Office 2 Dark - UGR19 - 20200714.zip

The reported luminous flux is the flux emitted by the light source with a tolerance of ± 10% compared to the indicated value. The W tot column indicates the total wattage absorbed by the system without exceeding 10% of the indicated

Office 2 Dark - UGR<19

Code	Gear	Kg	Lumen Output-K-CRI	WTot	Colour
22152576-09	CLD CELL-E	1,59	LED COB-1950lm-4000K-CRI 92	19 W	PLATA
22152572-09	CLD CELL-E	1,60	LED COB-2392lm-4000K-CRI 92	25 W	PLATA
22152573-09	CLD CELL-E	1,80	LED COB-3835lm-4000K-CRI 92	40 W	PLATA
22152570-09	CLD CELL-E	1,50	LED COB-2392lm-4000K-CRI 92	25 W	PLATA
22152571-09	CLD CELL-E	1,75	LED COB-3345lm-4000K-CRI 92	34 W	PLATA
22152574-09	CLD CELL-E	1,50	LED COB-4028lm-4000K-CRI 92	40 W	PLATA
22152575-09	CLD CELL-E	1,60	LED COB-5082lm-4000K-CRI 92	54 W	PLATA
22152811-09	CLD CELL-E	2,04	LED COB-6062lm-4000K-CRI 92	69 W	PLATA
22152576-0928	CLD CELL-E	1,59	LED COB-1813lm-3000K-CRI 92	19 W	PLATA
22152573-0928	CLD CELL-E	1,80	LED COB-3567lm-3000K-CRI 92	40 W	PLATA
22152572-0928	CLD CELL-E	1,45	LED COB-2225lm-3000K-CRI 92	25 W	PLATA
22152570-0928	CLD CELL-E	1,48	LED COB-2225lm-3000K-CRI 92	25 W	PLATA
22152571-0928	CLD CELL-E	1,75	LED COB-3111lm-3000K-CRI 92	34 W	PLATA
22152574-0928	CLD CELL-E	1,40	LED COB-3746lm-3000K-CRI 92	39 W	PLATA
22152575-0928	CLD CELL-E	1,60	LED COB-4726lm-3000K-CRI 92	54 W	PLATA
22152811-0928	CLD CELL-E	2,04	LED COB-5638lm-3000K-CRI 92	69 W	PLATA
22152576-31	CLD CELL-E	1,60	LED COB-1950lm-4000K-CRI 92	20 W	PLATA
22152572-31	CLD CELL-E	1,60	LED COB-2392lm-4000K-CRI 92	27 W	PLATA
22152573-31	CLD CELL-E	1,60	LED COB-3835lm-4000K-CRI 92	40 W	PLATA
22152570-31	CLD CELL-E	1,60	LED COB-2392lm-4000K-CRI 92	27 W	PLATA
22152571-31	CLD CELL-E	1,80	LED COB-3345lm-4000K-CRI 92	39 W	PLATA
22152574-31	CLD CELL-E	1,80	LED COB-4028lm-4000K-CRI 92	39 W	PLATA
22152575-31	CLD CELL-E	1,80	LED COB-5082lm-4000K-CRI 92	54 W	PLATA
22152811-31	CLD CELL-E	1,80	LED COB-6062lm-4000K-CRI 92	69 W	PLATA
22152576-3957	CLD CELL-E	1,60	LED COB-1813lm-3000K-CRI 92	20 W	PLATA
22152572-3957	CLD CELL-E	1,60	LED COB-2225lm-3000K-CRI 92	27 W	PLATA
22152573-3957	CLD CELL-E	1,60	LED COB-3567lm-3000K-CRI 92	40 W	PLATA
22152570-3957	CLD CELL-E	1,60	LED COB-2225lm-3000K-CRI 92	27 W	PLATA
22152571-3957	CLD CELL-E	1,60	LED COB-3111lm-3000K-CRI 92	33 W	PLATA
22152574-3957	CLD CELL-E	1,80	LED COB-3746lm-3000K-CRI 92	39 W	PLATA
22152575-3957	CLD CELL-E	1,80	LED COB-4726lm-3000K-CRI 92	54 W	PLATA
22152811-3957	CLD CELL-E	1,80	LED COB-5638lm-3000K-CRI 92	69 W	PLATA
22152570-0938	CLD CELL-E	1,60	LED COB-2225lm-3000K-CRI 92	27 W	PLATA

Accessori



- Pantalla Office 2/3/4/6/9 -



- Pantalla Office 2/3/4/6/9 - opale



- Difusor - Office 2/3/4/6/9



- Difusor - office 2/3/4/6/9



- Difusor - office 2/3/4/6/9



- Sensor de presencia y de luz

The reported luminous flux is the flux emitted by the light source with a tolerance of $\pm 10\%$ compared to the indicated value. The W tot column indicates the total wattage absorbed by the system without exceeding 10% of the indicated