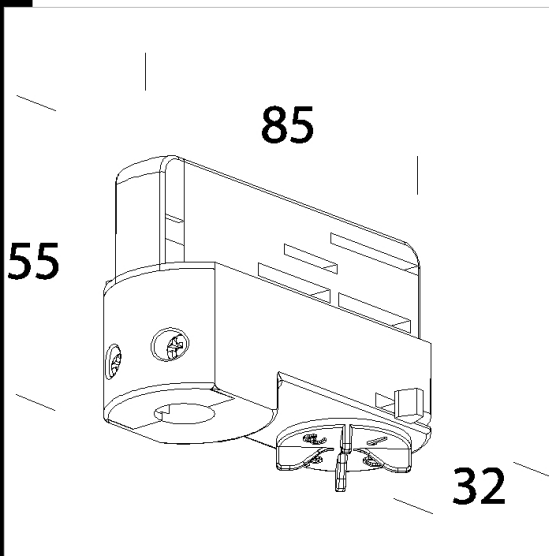


Download

 DXF 2D
 - adatt.dxf


Code	Kg	WTot	Colour
22093415-00	0,08	0 W	BLANCO
22093475-00	0,07	0 W	GRIS
22093435-00	0,19	0 W	NEGRO

Prodotti



- Trial-One LED

The reported luminous flux is the flux emitted by the light source with a tolerance of $\pm 10\%$ compared to the indicated value. The W tot column indicates the total wattage absorbed by the system without exceeding 10% of the indicated