

3° IP
IK

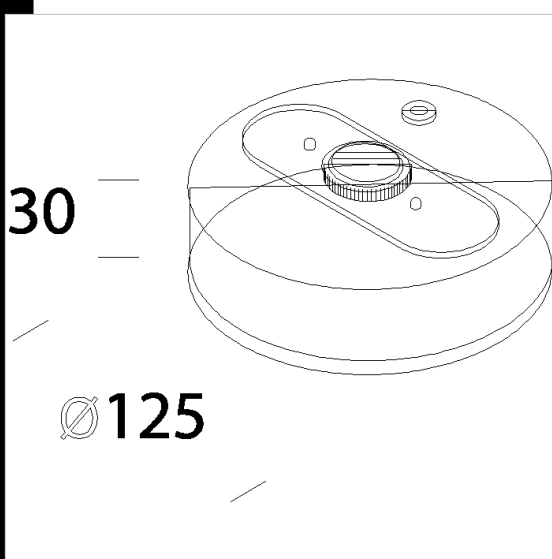
Download

DXF 2D
- 91410.dxf



Base

De aluminio fundido apresin. Para la instalacin a la pared o al techo.



Code	Kg	WTot	Colour
22091410-00	0,35	0 W	BLANCO
22091470-00	0,35	0 W	PLATA
22091430-00	0,35	0 W	NEGRO

Prodotti



- Gotham CDM-R



- Trial-one ceramic



- Zoom 1



- Gotham MASTERLED AR111



- Zoom 2



- Trial LED - COB



- Gotham LED111



- Gotham VIVID



- Gotham



- Gotham CDM-T elite

The reported luminous flux is the flux emitted by the light source with a tolerance of $\pm 10\%$ compared to the indicated value. The W tot column indicates the total wattage absorbed by the system without exceeding 10% of the indicated