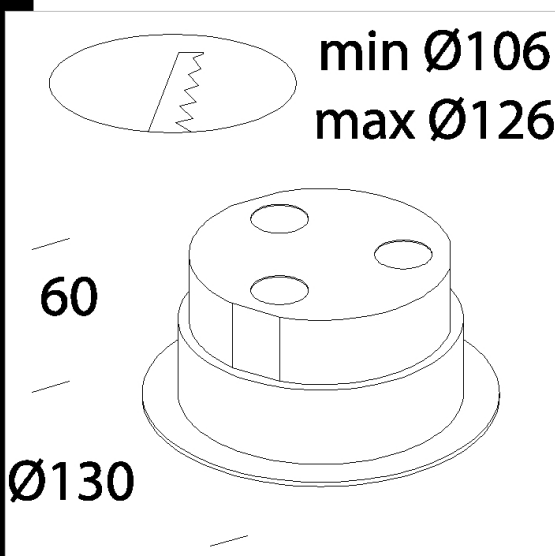


Universal adapter recessed

Download

DXF 2D
- incuniv.dxf



Code	Kg	WTot	Colour
22091110-00	0,13	0 W	BLANCO
22091130-00	0,13	0 W	NEGRO
22091170-00	0,13	0 W	GRIS

Prodotti



The reported luminous flux is the flux emitted by the light source with a tolerance of $\pm 10\%$ compared to the indicated value. The W tot column indicates the total wattage absorbed by the system without exceeding 10% of the indicated

Universal adapter recessed

Prodotti



- Krypton 1B



- Krypton 3B

The reported luminous flux is the flux emitted by the light source with a tolerance of $\pm 10\%$ compared to the indicated value. The W tot column indicates the total wattage absorbed by the system without exceeding 10% of the indicated