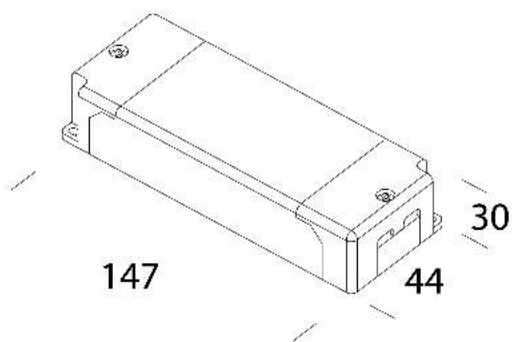


## 700mA DIM DALI power supply

M1 A: min 4spot - max 18spot  
 M1 B: min 4spot - max 18spot  
 M2: min 2spot - max 9spot  
 M3: min 2spot - max 6spot  
 M5: min 1spot - max 3spot



Download

Code	Gear	Kg	WTot
22090813-1241	CLD	0,14	0 W

### Prodotti



- Spot M1-A - plafón - UGR<19



- Spot M1-B - plafón - UGR<19



- Spot M2 - plafón - UGR<19



- Spot M3 - plafón - UGR<19



- Spot M5 - plafón - UGR<19

The reported luminous flux is the flux emitted by the light source with a tolerance of  $\pm 10\%$  compared to the indicated value. The W tot column indicates the total wattage absorbed by the system without exceeding 10% of the indicated