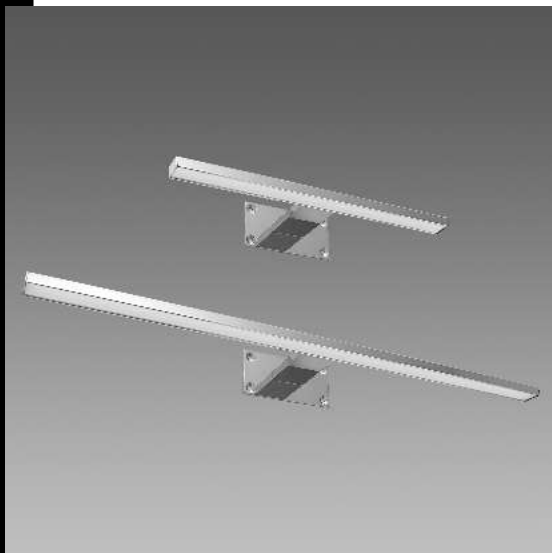




Download

DXF 2D
- roby.dxf
Montaggi
- ROBY rev4.pdf

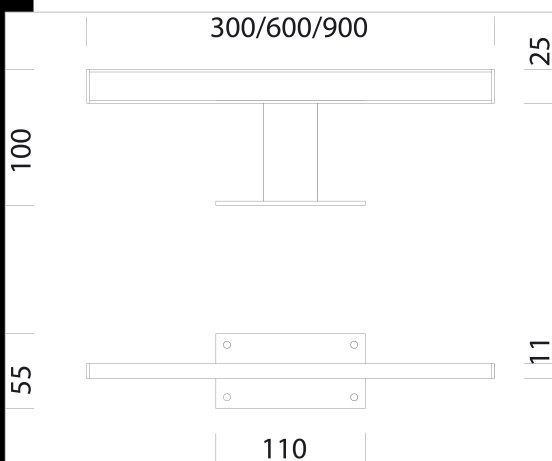


Roby

Linear wall sconce for a modern and contemporary design, ideal for bathroom mirror lighting or to provide accent lighting and emphasize decorative elements on vertical surfaces. Housing: chrome sheet metal, specifically designed for wall mount applications. Diffuser: in polycarbonate.

LED 4W - 4000K - 300lm - CRI 80
LED 6W - 4000K - 500lm - CRI 80

Regulations: Manufactured in accordance with standards EN60598 - CEI 34 -21. Degree of protection in accordance with standards EN60529.



Code	Gear	Kg	Lumen Output-K-CRI	WTot	Colour
22085760-00	CLD	0,30	LED-300lm-4000K-CRI 80	4 W	CROMADO
22085761-00	CLD	0,39	LED-500lm-4000K-CRI 80	6 W	CROMADO
22085762-00	CLD	0,52	LED-500lm-4000K-CRI 80	6 W	CROMADO

The reported luminous flux is the flux emitted by the light source with a tolerance of $\pm 10\%$ compared to the indicated value. The W tot column indicates the total wattage absorbed by the system without exceeding 10% of the indicated