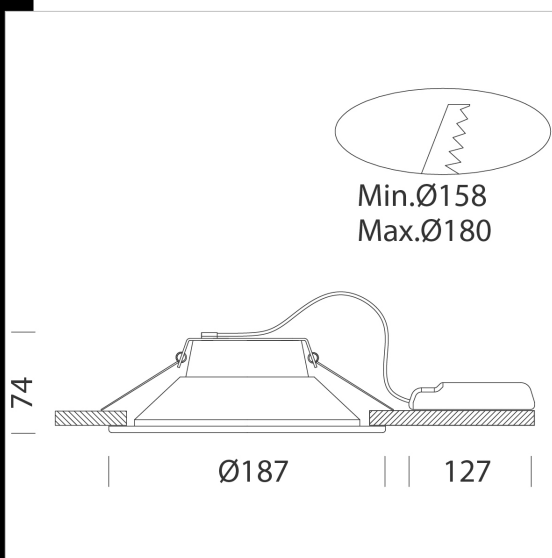


Speaker 1 Mirror

Reflector: de aluminio brillante.
 Normativa: Fabricados en conformidad a las normas EN60598-1, EN60598-2-2.
 Factor de potencia: ≥ 0.95
 Clasificación riesgo fotobiológico: Grupo exento.
 Mantenimiento del flujo luminoso al 70%: 30.000h (L70B50).



Code	Gear	Kg	Lumen Output-K-CRI	WTot	Colour
22084413-00	CLD	0,28	LED-1500lm-4000K-CRI>80	20 W	BLANCO

Accessori



- EM Kit R



Download

DXF 2D
 - spk1m.dxf

Montaggi
 - SPEAKER 1-2-3 rev9.pdf

The reported luminous flux is the flux emitted by the light source with a tolerance of $\pm 10\%$ compared to the indicated value. The W tot column indicates the total wattage absorbed by the system without exceeding 10% of the indicated