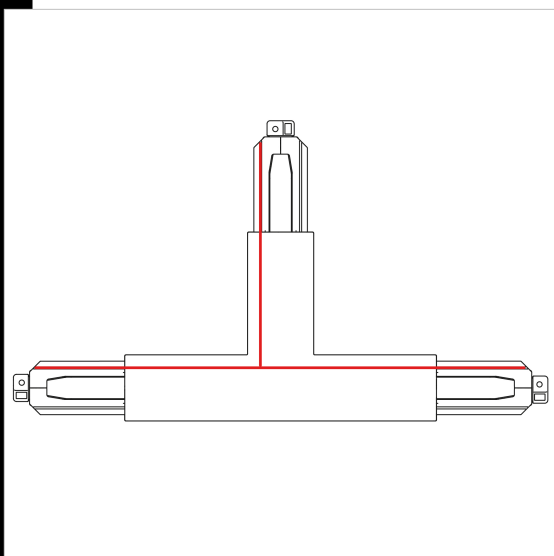


### Conexión a "T" interna - sx

Permite la conexión eléctrica interna "izquierda" y mecánica para la unión en "T".

**Download**

DXF 2D  
- 26615.dxf



Code	Kg	WTot	Colour
22026615-00	0,30	0 W	BLANCO
22026635-00	0,29	0 W	NEGRO

**Prodotti**



- Omnitrack PLUS - DIMM - 6



- Omnitrack PLUS para empotrar

The reported luminous flux is the flux emitted by the light source with a tolerance of  $\pm 10\%$  compared to the indicated value. The W tot column indicates the total wattage absorbed by the system without exceeding 10% of the indicated