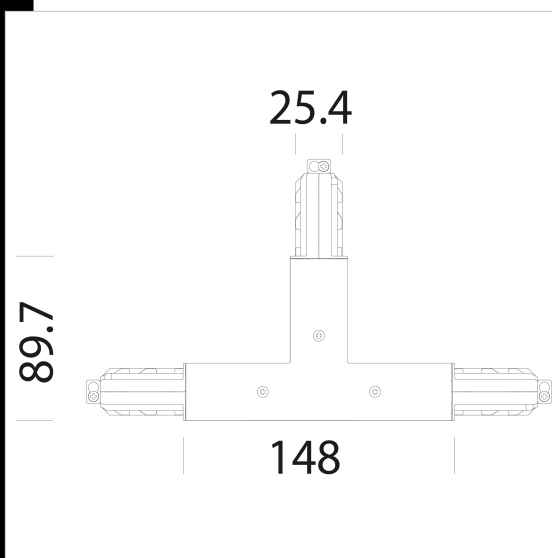
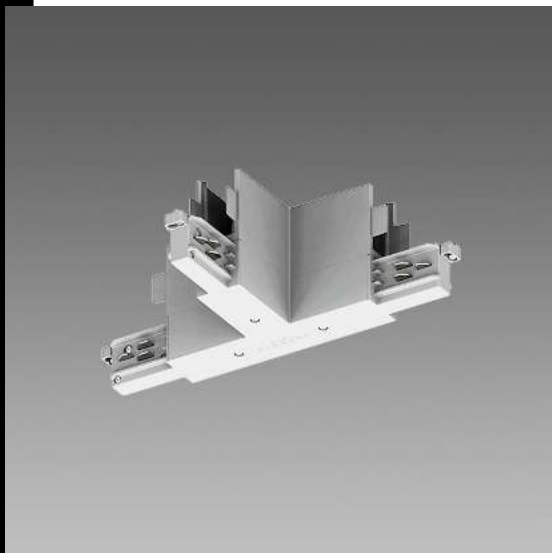


T-shaped, internal left sided joint H

It provides "left-sided" electric connection and mechanical connection for the T-shaped joint.

Download

DXF 2D
- 26214.dxf



Code	Kg	WTot	Colour
22026215-00	0,00	0 W	BLANCO

Prodotti



- Omnitrack H - Dimm - 6

The reported luminous flux is the flux emitted by the light source with a tolerance of $\pm 10\%$ compared to the indicated value. The W tot column indicates the total wattage absorbed by the system without exceeding 10% of the indicated