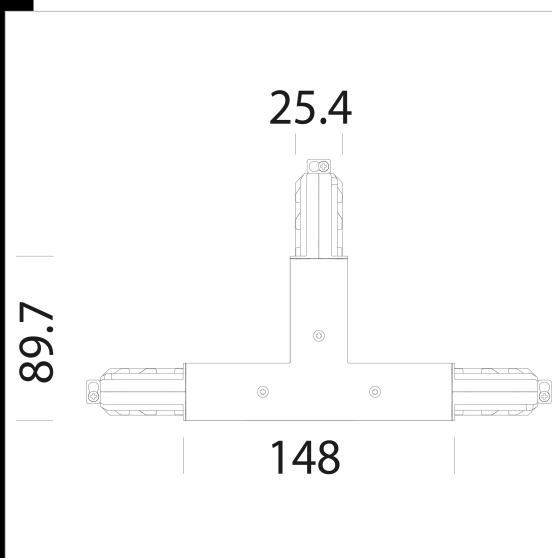
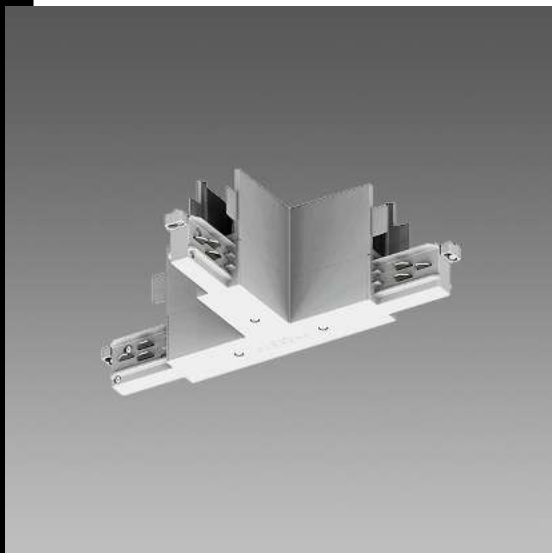


### T-shaped, external right sided joint H

It provides "right-sided" electric connection and mechanical connection for the T-shaped joint.

**Download**

DXF 2D  
- 26214.dxf



Code	Kg	WTot	Colour
22026213-00	0,23	0 W	BLANCO

**Prodotti**



- Omnitrack H - Dimm - 6

The reported luminous flux is the flux emitted by the light source with a tolerance of  $\pm 10\%$  compared to the indicated value. The W tot column indicates the total wattage absorbed by the system without exceeding 10% of the indicated