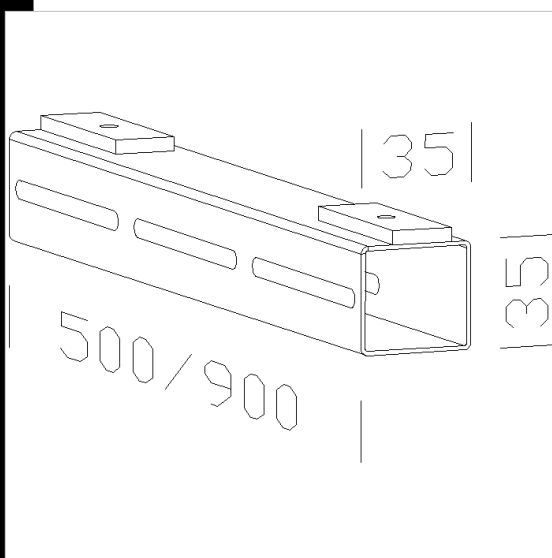


## Soporte para carril

Tubular de acero, permite unir los dos Omnitrack y fijar el soporte acc. 24870.

### Download

DXF 2D  
- f24875.dxf



Code	Kg	WTot	Colour
22024879-00	0,80	0 W	OXIDADO
22024875-00	0,50	0 W	OXIDADO

### Prodotti



- Omnitrack 3 circuitos

The reported luminous flux is the flux emitted by the light source with a tolerance of  $\pm 10\%$  compared to the indicated value. The W tot column indicates the total wattage absorbed by the system without exceeding 10% of the indicated